

NOTES: THIS DRAWING IS NOT TO SCALE. CHARACTERISTICS AND DIMENSIONS OF FINISHED PRODUCT MAY VARY.

- NOTES:
 1.) ROLL CAGE 5 1/2" FROM INSIDE OF REAR GUTTER. CRASH RAIL 66" FROM FLOOR.
 2.) ALL 9x7 LIGHTS TO BE WHELEN 900 SERIES LIGHTS.

3

2

1

Rev. #

Revision Description

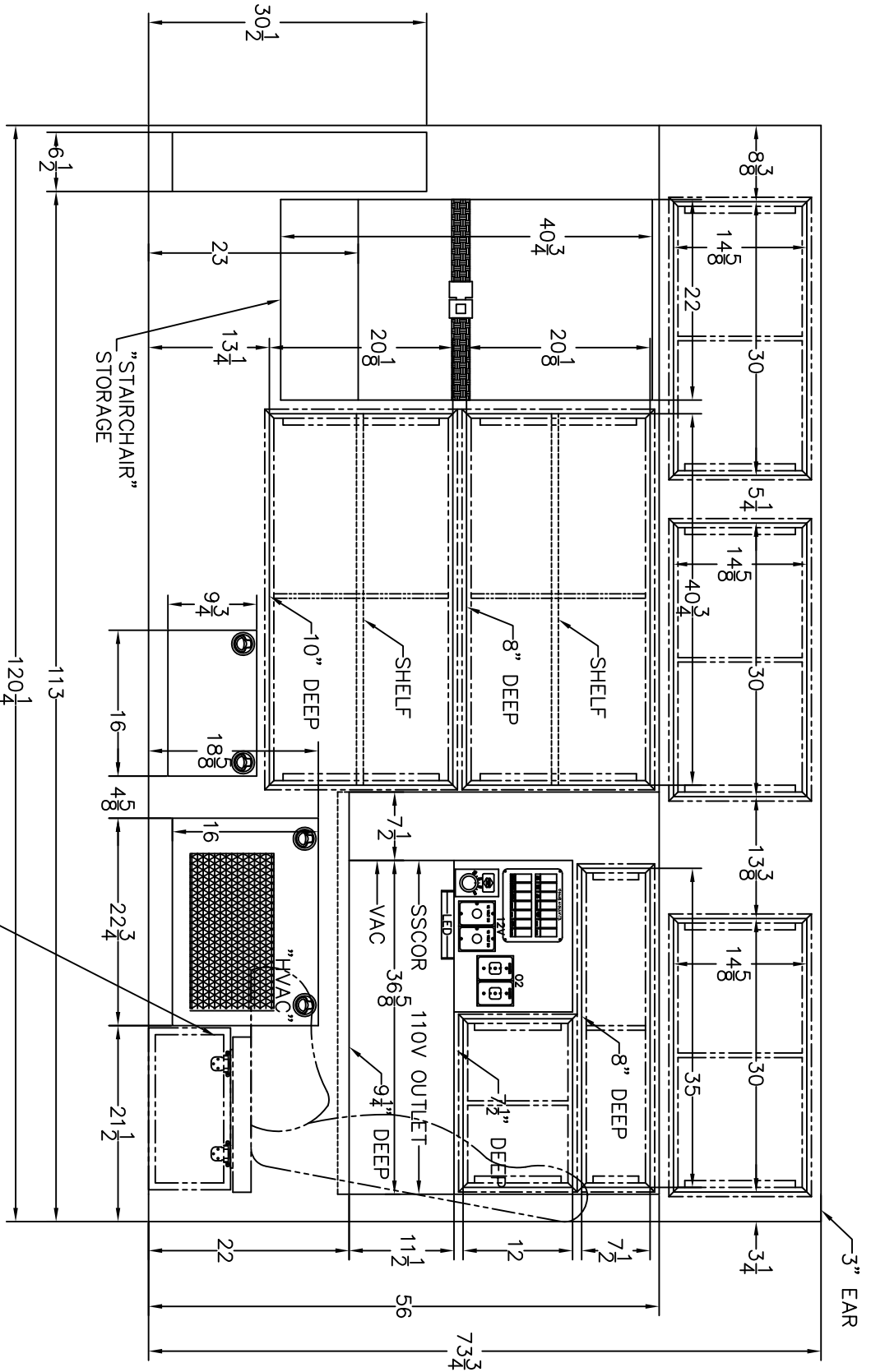
Date

Rev'd

App'vd

Stock/Job#:	Drawing# :	Cust. App'v/Date :	Deal. App'v/Date :
16-2-TRAVOIS-100			
Dealer:	Osage Industries, Inc.		
End Customer:	TWINRIDGEGRD P.O. BOX 718 LINN, MO. 65051		
Drawn By:	S.A.H.	Date:	07-07-15
Drawing Description:		Scale:	NOT TO SCALE
EXTERIOR LAYOUT		Revision# :	1
TYPE-II SPRINTER			

NOTICE
 This drawing and/or the information hereon is the exclusive property of Osage Industries and shall not be reproduced, used or disclosed without the authorized written consent of Osage Industries.



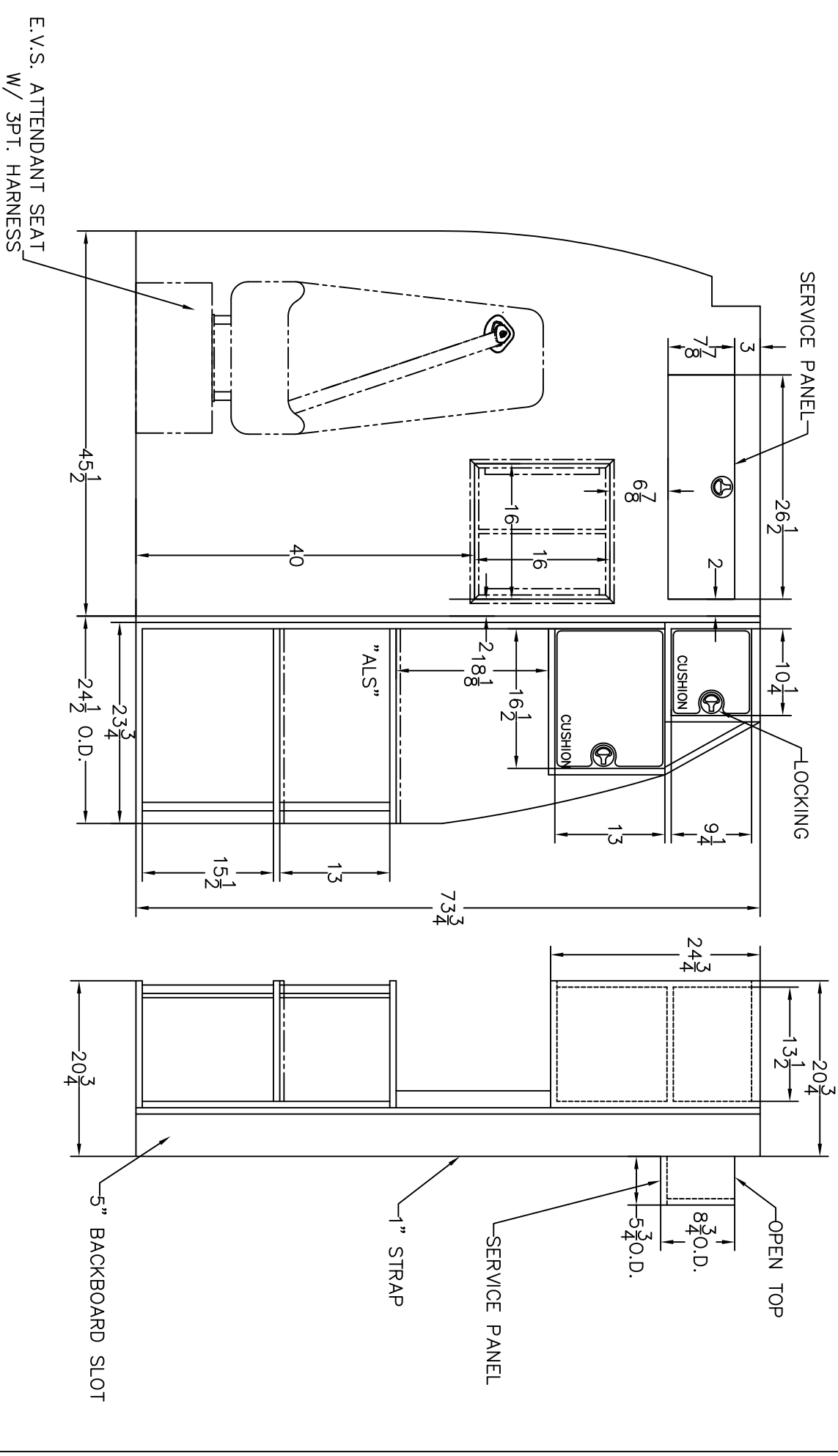
NOTES: THIS DRAWING IS NOT TO SCALE. CHARACTERISTICS AND DIMENSIONS OF FINISHED PRODUCT MAY VARY.
 NOTES: CABINET DEPTHS REPRESENT DIMENSION FROM INSIDE REAR TO FRONT FACE OF CABINETS, WITHOUT TRIM. ACTUAL WORKING DEPTH WILL BE LESS THAN DIMENSION SHOWN UNLESS OTHERWISE SPECIFIED.

3					
2					
1	PRODUCTION DRAFT		SAH		
Rev. #	Revision Description	Date	Rev'd	App'vd	

Stock/Job#:	Drawing# :	Cust. App'v/Date :	Deal. App'v/Date :
16-2-TRAVOIS-101			
Dealer:	Drawn By:	Date:	Scale:
	S.A.H.	07-07-15	NOT TO SCALE
End Customer:	Drawing Description:	Revision# :	
	Osage Industries, Inc. TWINRIDGEGE ROAD P.O. BOX 718 LINN, MO. 65051	1	

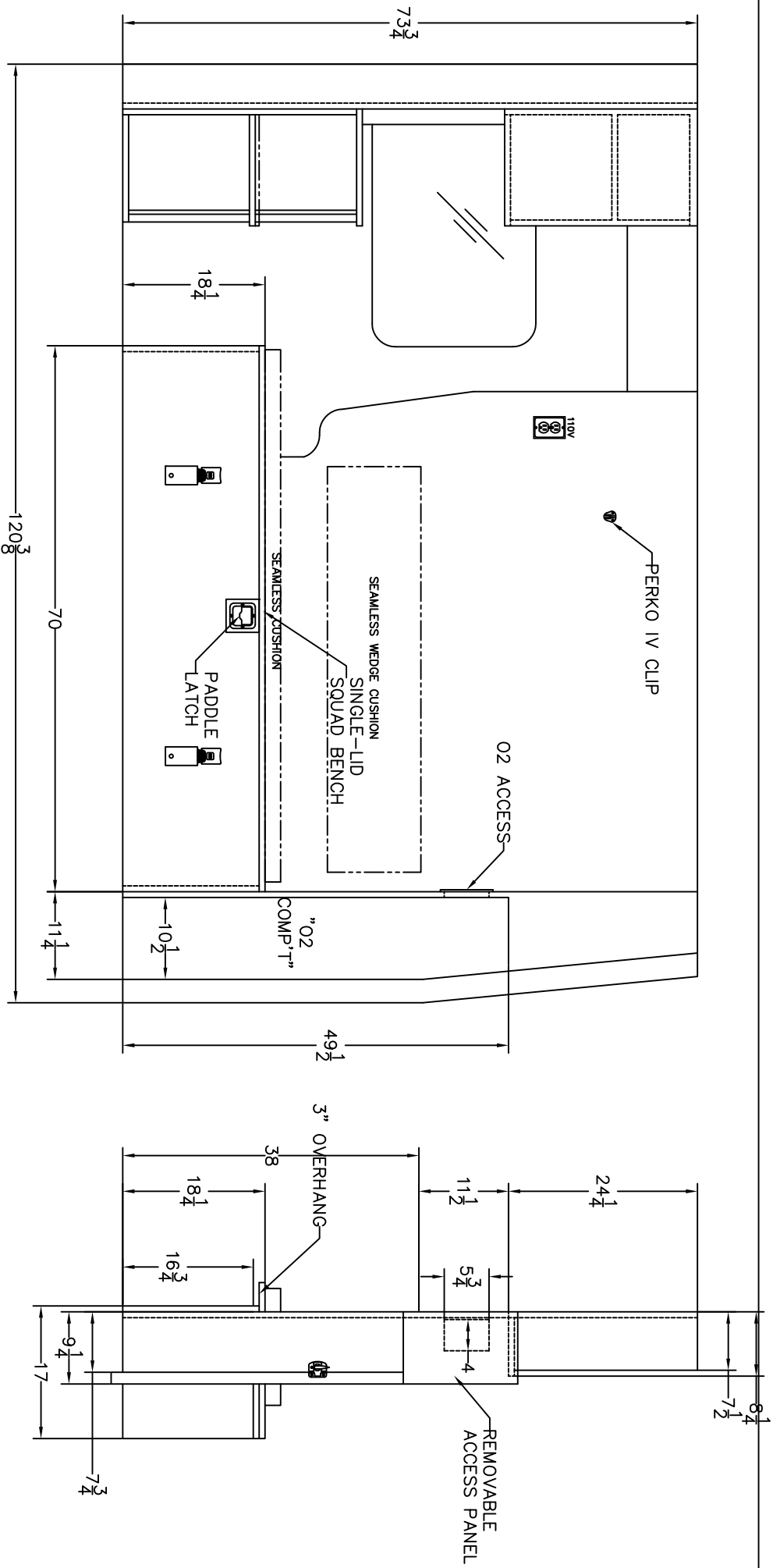
NOTICE: This drawing and/or the information hereon is the exclusive property of Osage Industries and shall not be reproduced, used or disclosed without the authorized written consent of Osage Industries.

STREETSIDE INTERIOR
TYPE-II SPRINTER



NOTES: THIS DRAWING IS NOT TO SCALE.
 CHARACTERISTICS AND DIMENSIONS OF FINISHED
 PRODUCT MAY VARY.

3																						
2																						
1																						
Rev. #																						
	Revision Description	Date	Rev'd	App'vd	Stock/Job#	Drawing#	Cust. App'v/Date	Deal. App'v/Date	Dealer	End Customer	Drawn By	Date	Scale	Revision#	Production Draft	SAH						
					16-2-TRAVOIS-102	16-2-TRAVOIS-102			Osage Industries, Inc.	TWIN RIDGE ROAD	S.A.H.	07-07-15	NOT TO SCALE	1	PRODUCTION DRAFT	SAH						
					NOTICE This drawing and/or the information hereon is the exclusive property of Osage Industries and shall not be reproduced, used or disclosed without the authorized written consent of Osage Industries.																	
					FORWARD INTERIOR TYPE-II SPRINTER																	



NOTES: THIS DRAWING IS NOT TO SCALE.
 CHARACTERISTICS AND DIMENSIONS OF FINISHED PRODUCT MAY VARY.

3					
2					
1	PRODUCTION DRAFT		SAH		
Rev. #	Revision Description	Date	Rev'd	App'vd	

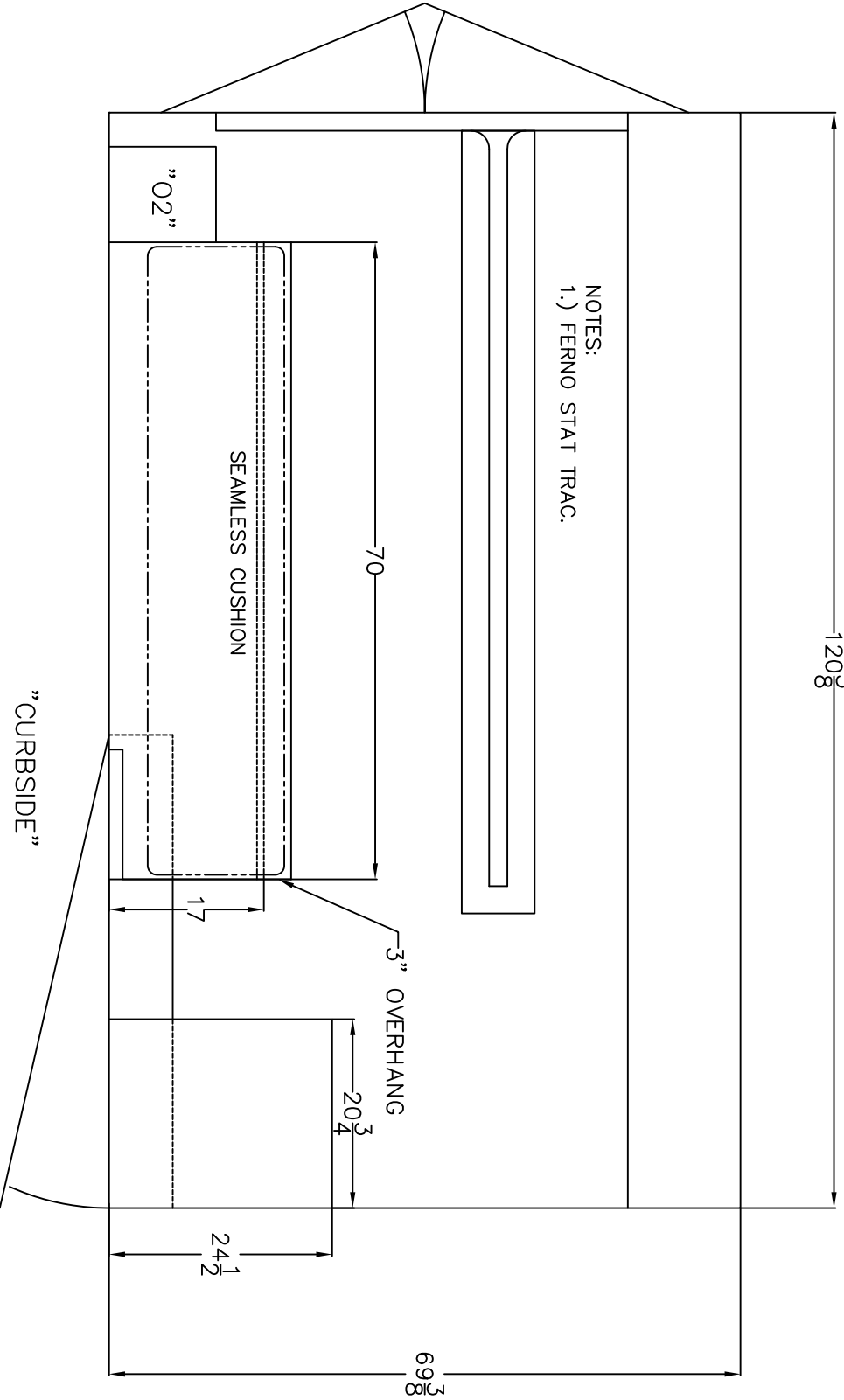
Stock/Job#:	Drawing# :	Cust. App'v/Date :	Deal. App'v/Date :
16-2-TRAVOIS-103			
Dealer:			
End Customer:	TWINRIDGE ROAD P.O. BOX 718 LINN, MO. 65051		
Drawn By:	Date:	Scale:	NOT TO SCALE
S.A.H.	07-07-15		
Drawing Description:	CURBSIDE INTERIOR TYPE-II SPRINTER		
Revision# :	1		

This drawing and/or the information hereon is the exclusive property of Osage Industries and shall not be reproduced, used or disclosed without the authorized written consent of Osage Industries.

"STREETSIDE"

120 $\frac{3}{8}$

NOTES:
1.) FERNO STAT TRAC.



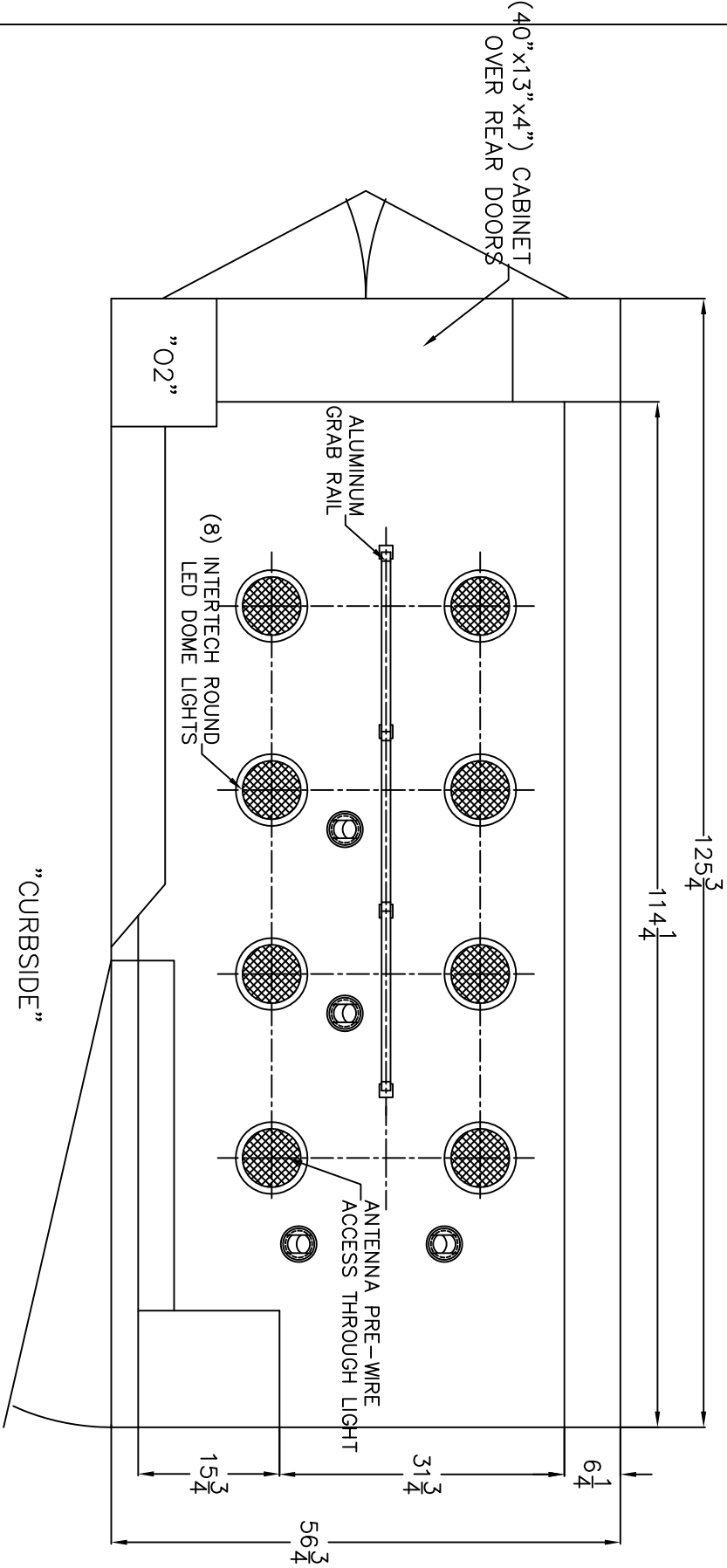
NOTES: THIS DRAWING IS NOT TO SCALE.
CHARACTERISTICS AND DIMENSIONS OF FINISHED PRODUCT MAY VARY.

3				
2				
1	PRODUCTION DRAFT		SAH	
Rev. #	Revision Description	Date	Rev'd	App'vd

Stock/Job#:	Drawing# :	Cust. App'v/Date :	Deal. App'v/Date :
Dealer:	16-2-TRAVOIS-104		
End Customer:	TWINRIDGE ROAD		
	Osage Industries, Inc.		
	P.O. BOX 718		
	LINN, MO. 65051		
Drawn By:	S.A.H.	Date:	07-07-15
Scale:	NOT TO SCALE		
Drawing Description:	FLOOR LAYOUT TYPE-II SPRINTER		
Revision# :	1		

NOTICE
This drawing and/or the information hereon is the exclusive property of Osage Industries and shall not be reproduced, used or disclosed without the authorized written consent of Osage Industries.

"STREETSIDE"



NOTES: THIS DRAWING IS NOT TO SCALE.
CHARACTERISTICS AND DIMENSIONS OF FINISHED PRODUCT MAY VARY.

3				
2	PRODUCTION DRAFT		SAH	
1				
Rev. #	Revision Description	Date	Rev'd	App'vd

Stock/Job#:	Drawing#:	Cust. App'v/Date:	Devl. App'v/Date:
Dealer:	16-2-TRAVOIS-105		
End Customer:			
NOTICE			
This drawing and/or the information hereon is the exclusive property of Osage Industries and shall not be reproduced, used or disclosed without the authorized written consent of Osage Industries.			
Drawn By:	S.A.H.	Date:	07-07-15
Osage Industries, Inc.		Scale:	NOT TO SCALE
TWIN RIDGE ROAD P.O. BOX 718 LINN, MO. 65051		Revision#:	1
Drawing Description: CEILING LAYOUT TYPE-II SPRINTER			