

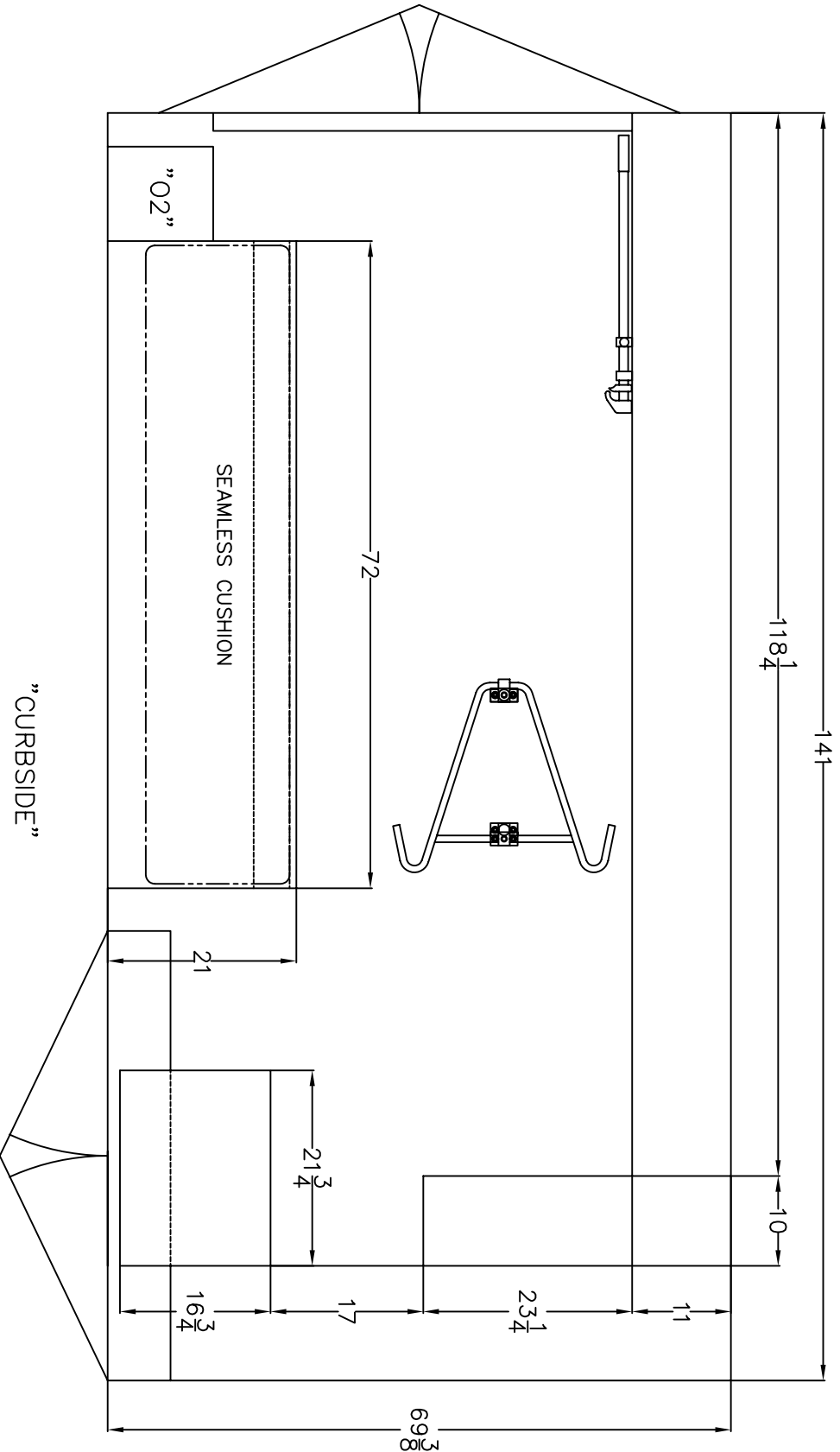
NOTES: THIS DRAWING IS NOT TO SCALE. CHARACTERISTICS AND DIMENSIONS OF FINISHED PRODUCT MAY VARY.

NOTES:
 1.) ROLL CAGE 5 1/2" FROM INSIDE OF REAR CUTTER. CRASH RAIL 66" FROM FLOOR.
 2.) ALL 9x7 LIGHTS TO BE WHELEN 900 SERIES LIGHTS.

3				
2				
1	PRODUCTION DRAFT		SAH	
Rev. #	Revision Description	Date	Rev'd	App'vd

Stock/Job#:	Drawing#:	Cust. App'v/Date:	Deal. App'v/Date:
Dealer:	13-2-TRAVOIS-100		
End Customer:	TWINRIDGEROAD		
	PO BOX 718		
	LINN, MO. 65051		
NOTICE			
This drawing and/or the information hereon is the exclusive property of Osage Industries and shall not be reproduced, used or disclosed without the authorized written consent of Osage Industries.			
Drawn By:	S.A.H.	Date:	07-10-12
Drawing Description:	EXTERIOR LAYOUT		
	TYPE-II (TRAVOIS) G3500		
Scale:	NOT TO SCALE		
Revision#:	1		

"STREETSIDE"



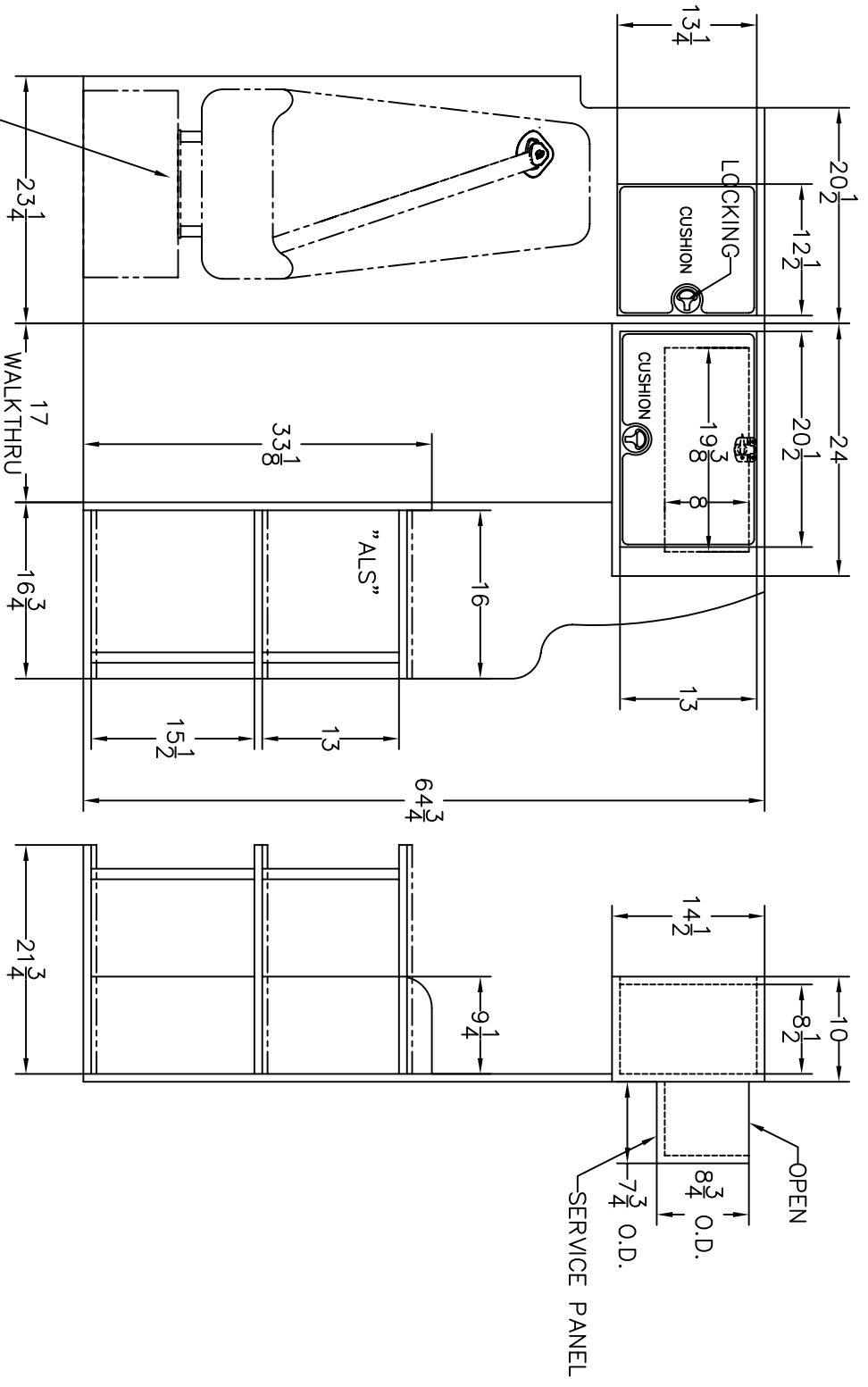
NOTES: THIS DRAWING IS NOT TO SCALE.
CHARACTERISTICS AND DIMENSIONS OF FINISHED PRODUCT MAY VARY.

3				
2				
1	PRODUCTION DRAFT		SAH	
Rev. #	Revision Description	Date	Rev'd	App'vd

Stock/Job#:	Drawing# :	Cust. App'v/Date :	Deal. App'v/Date :
Dealer:	13-2-TRAVOIS-104		
End Customer:			
NOTICE			
This drawing and/or the information hereon is the exclusive property of Osage Industries and shall not be reproduced, used or disclosed without the authorized written consent of Osage Industries.			
Drawn By:	S.A.H.	Date:	07-10-12
Drawing Description:		Scale:	NOT TO SCALE
FLOOR LAYOUT		Revision# :	1
TYPE-II (TRAVOIS) G3500			

Osage Industries, Inc.
TWINRIDGE ROAD
P.O. BOX 718
LINN, MO. 65051

E.V.S. ATTENDANT SEAT
W/ 3PT. HARNESS

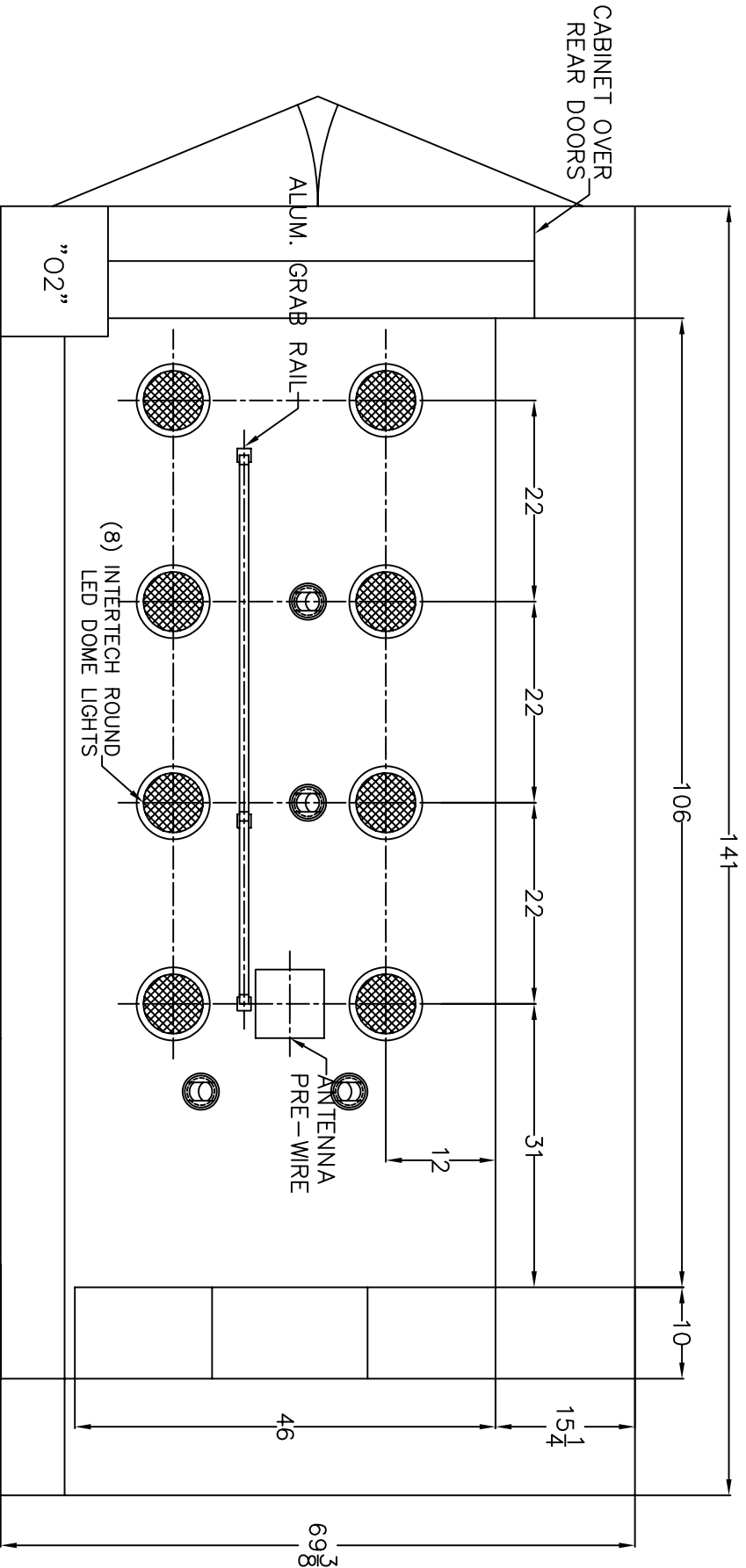


NOTES: THIS DRAWING IS NOT TO SCALE.
CHARACTERISTICS AND DIMENSIONS OF FINISHED
PRODUCT MAY VARY.

3				
2				
1	PRODUCTION DRAFT		SAH	
Rev. #	Revision Description	Date	Rev'd	App'vd

Stock/Job#:	Drawing#:	Cust. App'v/Date:	Deal. App'v/Date:
End Customer:	13-2-TRAVOIS-102		
Dealer:			
Drawn By:	S.A.H.	Date:	07-10-12
Scale:	NOT TO SCALE		
Revision#:	1		
<p>Osage Industries, Inc. TWIN RIDGE ROAD P.O. BOX 718 LINN, MO. 65051</p>			
<p>NOTICE: This drawing and/or the information hereon is the exclusive property of Osage Industries and shall not be reproduced, used or disclosed without the authorized written consent of Osage Industries.</p>			
<p>Drawing Description: FORWARD INTERIOR TYPE-II (TRAVOIS) G3500</p>			

"STREETSIDE"



"CURBSIDE"

NOTES: THIS DRAWING IS NOT TO SCALE.
CHARACTERISTICS AND DIMENSIONS OF FINISHED PRODUCT MAY VARY.

3			
2			
1	PRODUCTION DRAFT	SAH	
Rev. #	Revision Description	Date	Rev'd App'vd

Stock/Job#:	Drawing# :	Cust. App'v/Date :	Deal. App'v/Date :
Dealer:	13-2-TRAVOIS-105		
End Customer:			
NOTICE			
This drawing and/or the information hereon is the exclusive property of Osage Industries and shall not be reproduced, used or disclosed without the authorized written consent of Osage Industries.			
Drawn By:	S.A.H.	Date:	07-10-12
Drawing Description:	CEILING LAYOUT		
	TYPE-II (TRAVOIS) G3500		
Scale:	NOT TO SCALE		
Revision# :	1		

Osage Industries, Inc.
TWINRIDGEGE ROAD
P.O. BOX 718
LINN, MO. 65051