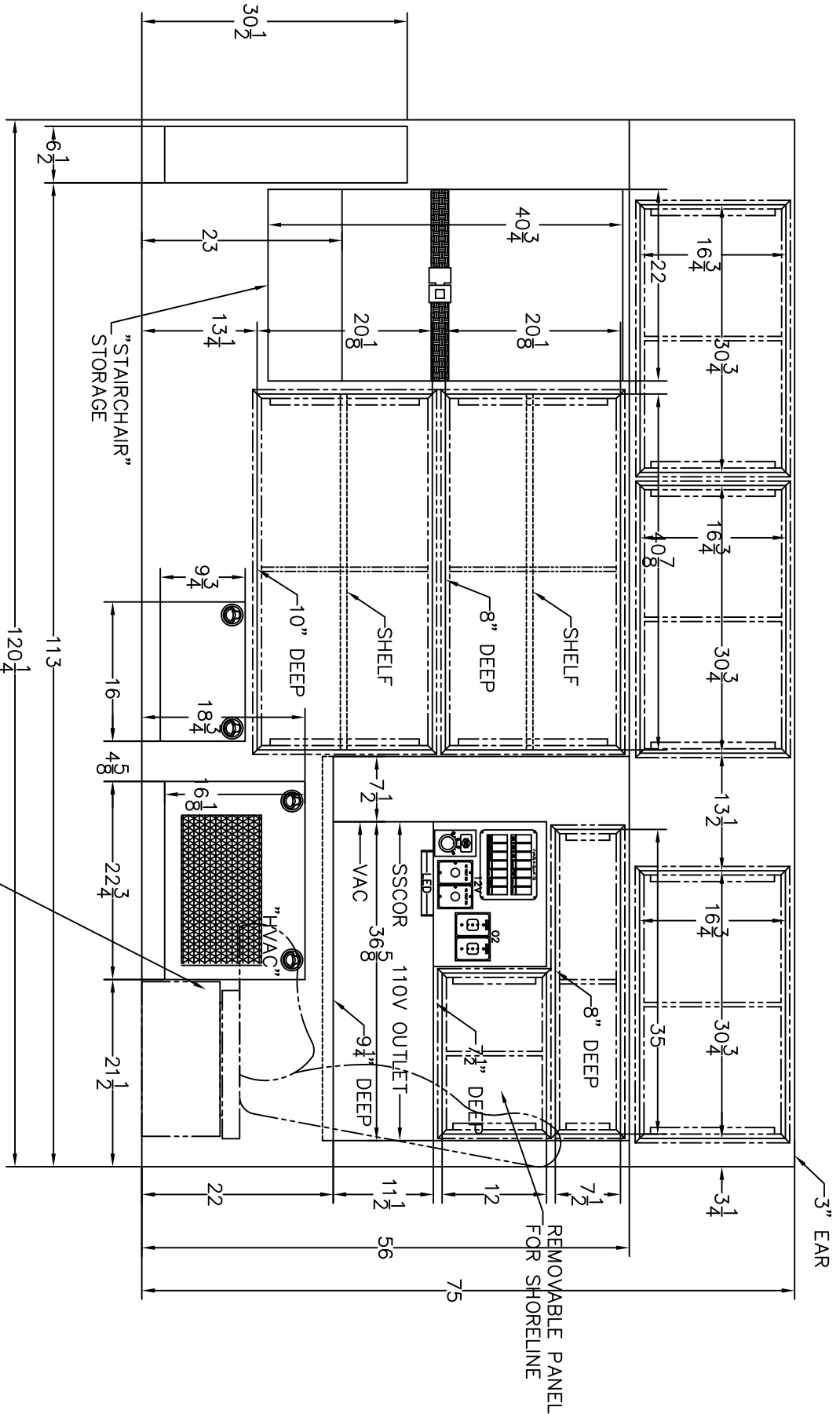


NOTES: THIS DRAWING IS NOT TO SCALE. CHARACTERISTICS AND DIMENSIONS OF FINISHED PRODUCT MAY VARY.
 NOTES:
 1.) ROLL CAGE 5 1/2 FROM INSIDE OF REAR GUTTER. CRASH RAIL 66" FROM FLOOR.
 2.) ALL 9x7 LIGHTS TO BE WHELEN 900 SERIES LIGHTS.

3				
2				
1	PRODUCTION DRAFT		SAH	
Rev. #	Revision Description	Date	Rev'd	App'vd

Stock/Job#:	Drawing# :	Cust. App'v/Date :	Deel. App'v/Date :
Dealer:	21-2-TRAVOIS-100		
End Customer:	TWIN RIDGE ROAD		
	P.O. BOX 718		
	LINN, MO. 65051		
Osage Industries, Inc.			
DRAWING DESCRIPTION:			
EXTERIOR LAYOUT			
TYPE-II TRANSIT			
Drawn By:	S.A.H.	Date:	06-10-20
Scale: NOT TO SCALE			
Revision# : 1			

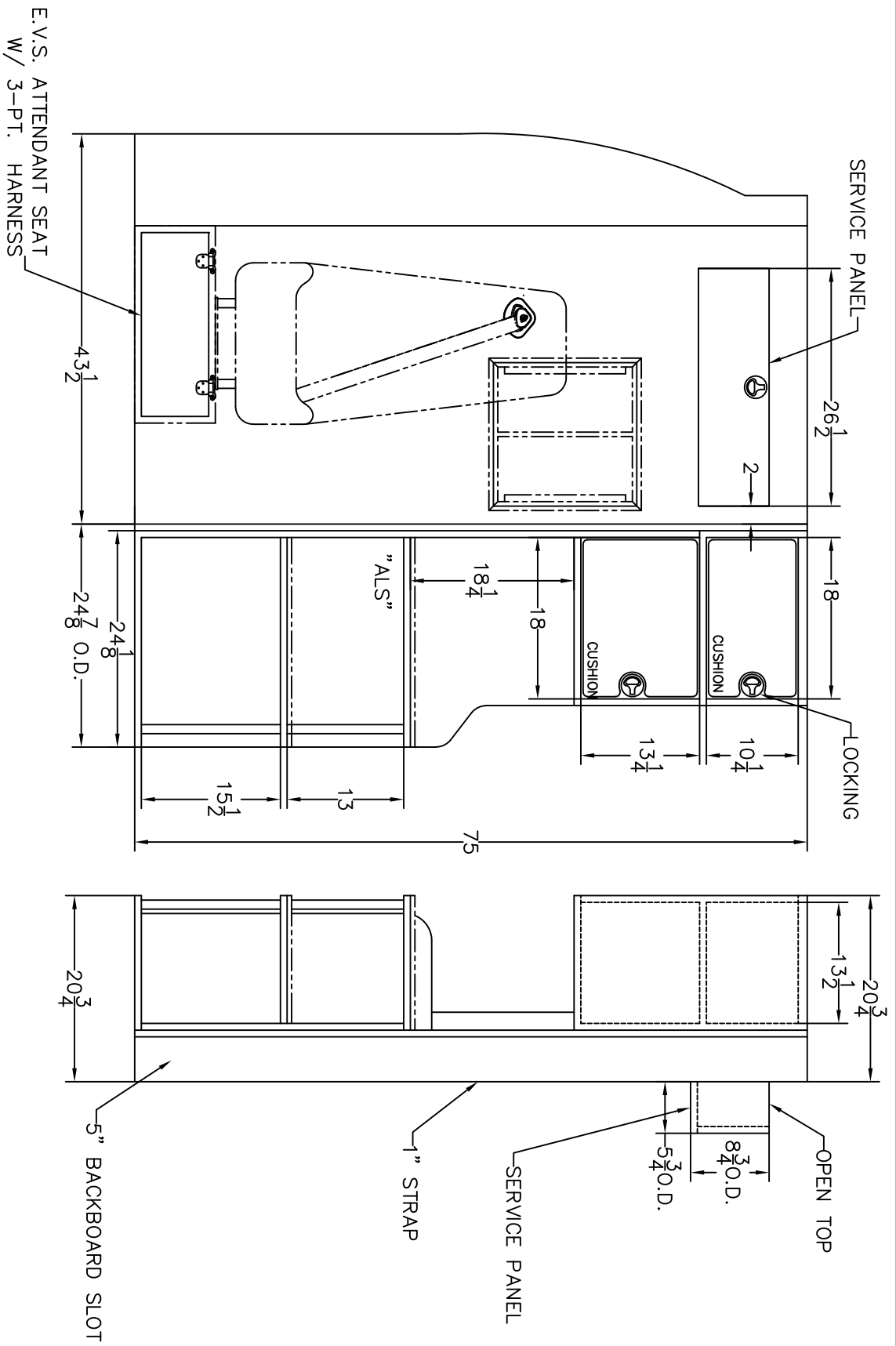
NOTICE
 This drawing and/or the information hereon is the exclusive property of Osage Industries and shall not be reproduced, used or disclosed without the authorized written consent of Osage Industries.



NOTES: THIS DRAWING IS NOT TO SCALE. CHARACTERISTICS AND DIMENSIONS OF FINISHED PRODUCT MAY VARY.
 NOTES: CABINET DEPTHS REPRESENT DIMENSION FROM INSIDE REAR TO FRONT FACE OF CABINETS, WITHOUT TRIM. ACTUAL WORKING DEPTH WILL BE LESS THAN DIMENSION SHOWN UNLESS OTHERWISE SPECIFIED.

E.V.S. ATTENDANT SEAT
 W/ 3-PT. HARNESS

3					
2					
1	PRODUCTION DRAFT		SAH		
Rev. #	Revision Description	Date	Rev'd	App'vd	
<p>Stock/Job #: .</p> <p>Dealer: .</p> <p>End Customer: .</p> <p>Drawing#: 21-2-TRAVOIS-101</p> <p>Cust. App'v/Date: .</p> <p>Deal. App'v/Date: .</p> <p>Drawn By: S.A.H.</p> <p>Date: 06-10-20</p> <p>Scale: NOT TO SCALE</p> <p>Revision#: 1</p>					
<p>NOTICE</p> <p>This drawing and/or the information hereon is the exclusive property of Osage Industries and shall not be reproduced, used or disclosed without the authorized written consent of Osage Industries.</p> <p>Drawing Description: STREETSIDE INTERIOR TYPE-II TRANSIT</p>					



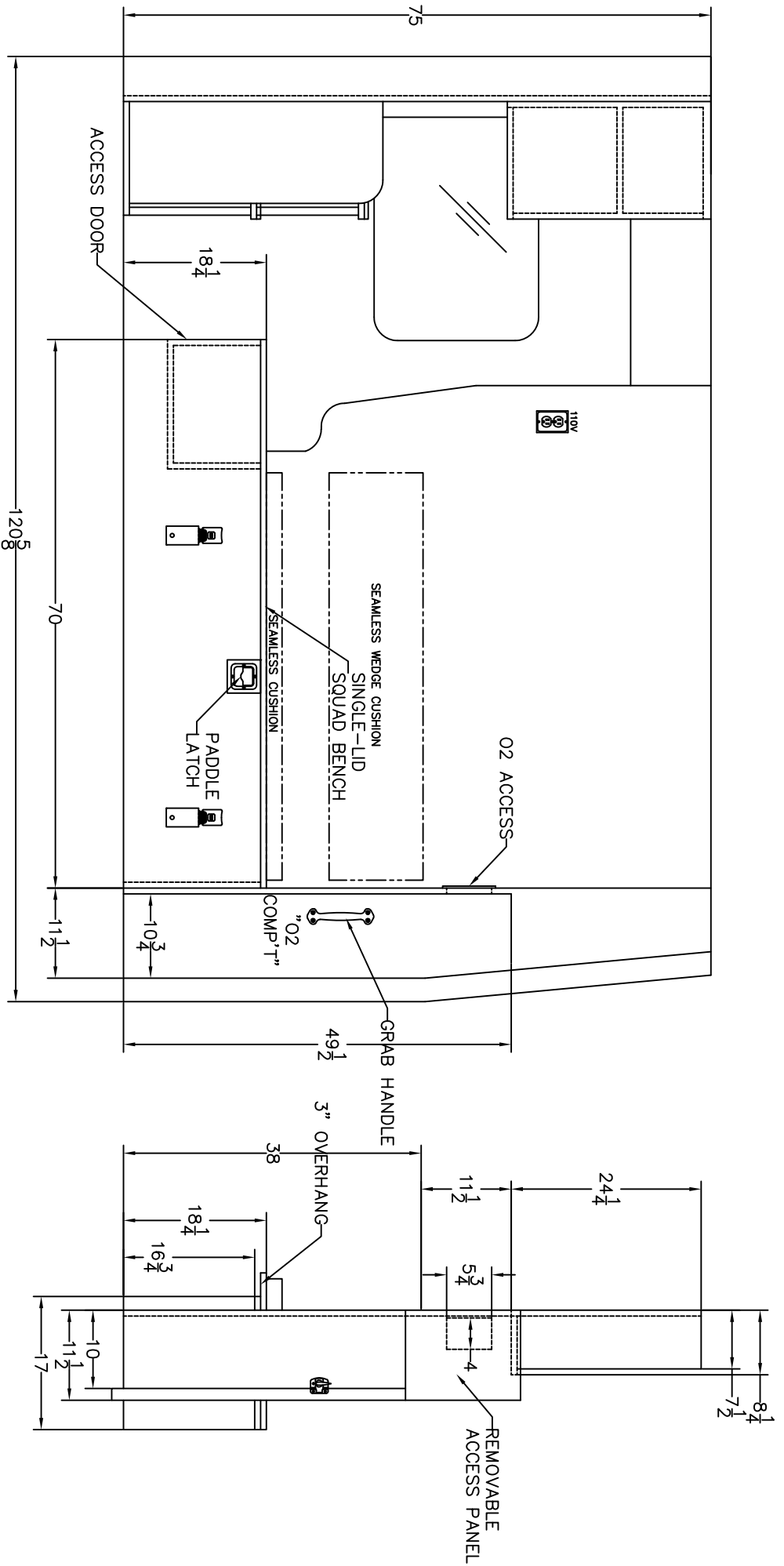
NOTES: THIS DRAWING IS NOT TO SCALE.
 CHARACTERISTICS AND DIMENSIONS OF FINISHED
 PRODUCT MAY VARY.

3				
2				
1	PRODUCTION DRAFT	SAH		
Rev. #	Revision Description	Date	Rev'd	App'vd

Stock/Job#:	Drawing#:	Cust. App'v/Date:	Devl. App'v/Date:
Dealer:	21-2-TRAVOIS-102		
End Customer:	TWINRIDGE ROAD	Drawn By:	S.A.H.
	Osage Industries, Inc.	Date:	06-10-20
	P.O. BOX 718	Scale:	NOT TO SCALE
	LINN, MO. 65051	Drawing Description:	FORWARD INTERIOR TYPE-II TRANSIT
		Revision#:	1

NOTICE

This drawing and/or the information hereon is the exclusive property of Osage Industries and shall not be reproduced, used or disclosed without the authorized written consent of Osage Industries.

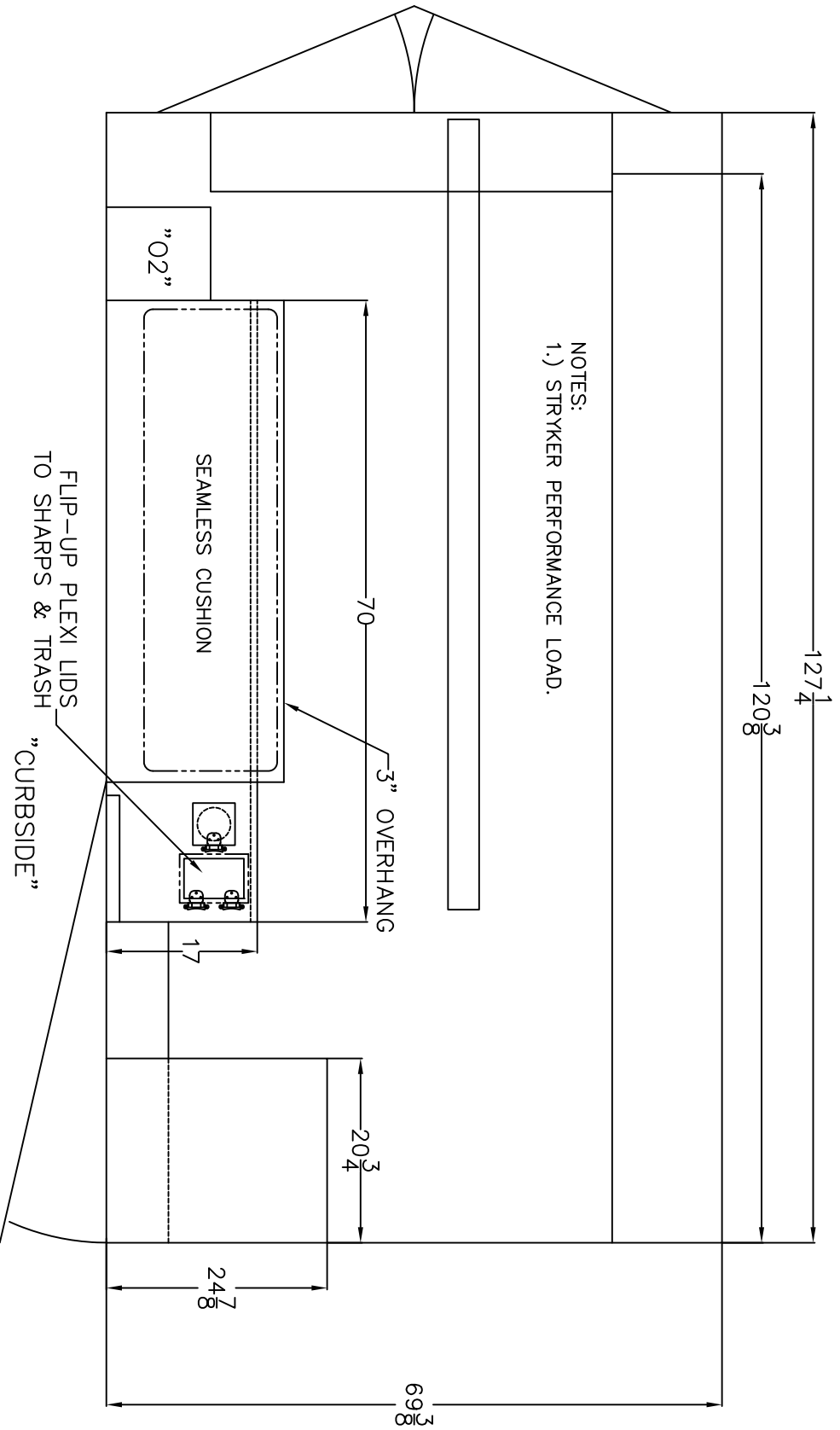


NOTES: THIS DRAWING IS NOT TO SCALE.
 CHARACTERISTICS AND DIMENSIONS OF FINISHED PRODUCT MAY VARY.

3					
2					
1	PRODUCTION DRAFT		SAH		
Rev. #	Revision Description	Date	Rev'd	App'vd	

Stock/Job#:	Drawing# :	Cust. App'v/Date :	Deal. App'v/Date :
Dealer:	21-2-TRAVOIS-103		
End Customer:			
NOTICE			
This drawing and/or the information hereon is the exclusive property of Osage Industries and shall not be reproduced, used or disclosed without the authorized written consent of Osage Industries.			
Drawn By:	Date:	Scale:	Revision# :
S.A.H.	06-10-20	NOT TO SCALE	1
Osage Industries, Inc. TWINRIDGE ROAD P.O. BOX 718 LINN, MO. 65051			
Drawing Description: CURBSIDE INTERIOR TYPE-II (TRANSIT)			

"STREETSIDE"



NOTES: THIS DRAWING IS NOT TO SCALE.
CHARACTERISTICS AND DIMENSIONS OF FINISHED PRODUCT MAY VARY.

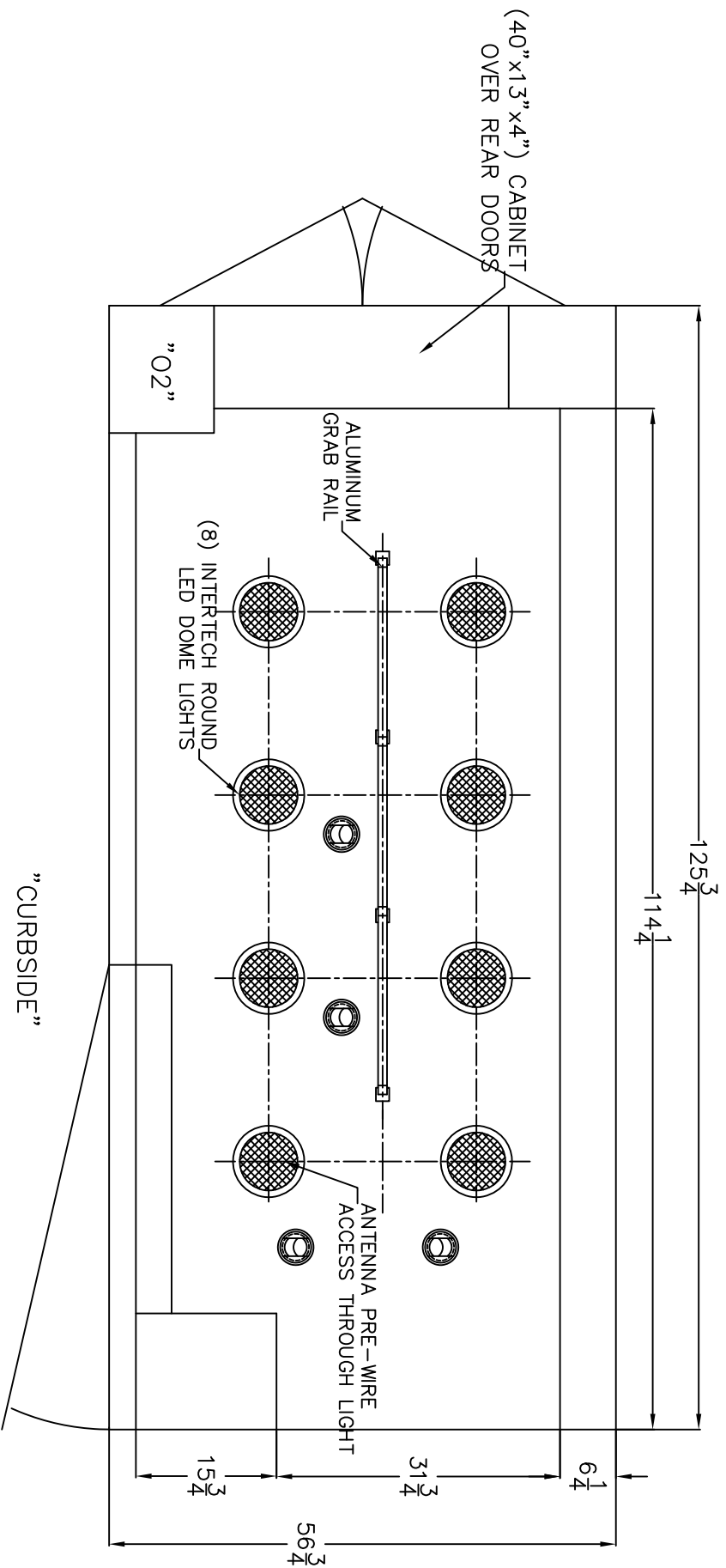
3				
2				
1	PRODUCTION DRAFT		SAH	
Rev. #	Revision Description	Date	Rev'd	App'vd

Stock/Job#:	Drawing#:	Cust. App'v/Date:	Deal. App'v/Date:
Dealer:	21-2-TRAVOIS-104		
End Customer:	Osage Industries, Inc.		
	TWINRIDGEGE ROAD		
	P.O. BOX 718		
	LINN, MO. 65051		
Drawn By:	Date:	Scale:	
S.A.H.	06-10-20	NOT TO SCALE	
Drawing Description:	FLOOR LAYOUT		Revision#:
TYPE-II TRANSIT			1
<p>This drawing and/or the information hereon is the exclusive property of Osage Industries and shall not be reproduced, used or disclosed without the authorized written consent of Osage Industries.</p>			

NOTICE

FLOOR LAYOUT
TYPE-II TRANSIT

"STREETSIDE"



NOTES: THIS DRAWING IS NOT TO SCALE.
CHARACTERISTICS AND DIMENSIONS OF FINISHED PRODUCT MAY VARY.

3				
2				
1	PRODUCTION DRAFT		SAH	
Rev. #	Revision Description	Date	Rev'd	App'vd

Stock/Job#:	Drawing# :	Cust. App'v/Date :	Deal. App'v/Date :
Dealer:	21-2-TRAVIS-105		
End Customer:			
NOTICE			
This drawing and/or the information hereon is the exclusive property of Osage Industries and shall not be reproduced, used or disclosed without the authorized written consent of Osage Industries.			
Drawn By:	S.A.H.	Date:	06-10-20
Drawing Description:	CEILING LAYOUT TYPE-II TRANSIT		
Scale:	NOT TO SCALE		
Revision# :	1		

Osage Industries, Inc.

TWINRIDGE ROAD P.O. BOX 718 LINN, MO. 65051