

NOTES: THIS DRAWING IS NOT TO SCALE. CHARACTERISTICS AND DIMENSIONS OF FINISHED PRODUCT MAY VARY.

- NOTES:  
 1.) ROLL CAGE 5 1/2" FROM INSIDE OF REAR GUTTER. CRASH RAIL 66" FROM FLOOR.  
 2.) ALL 9x7 LIGHTS TO BE WHELEN 900 SERIES LIGHTS.

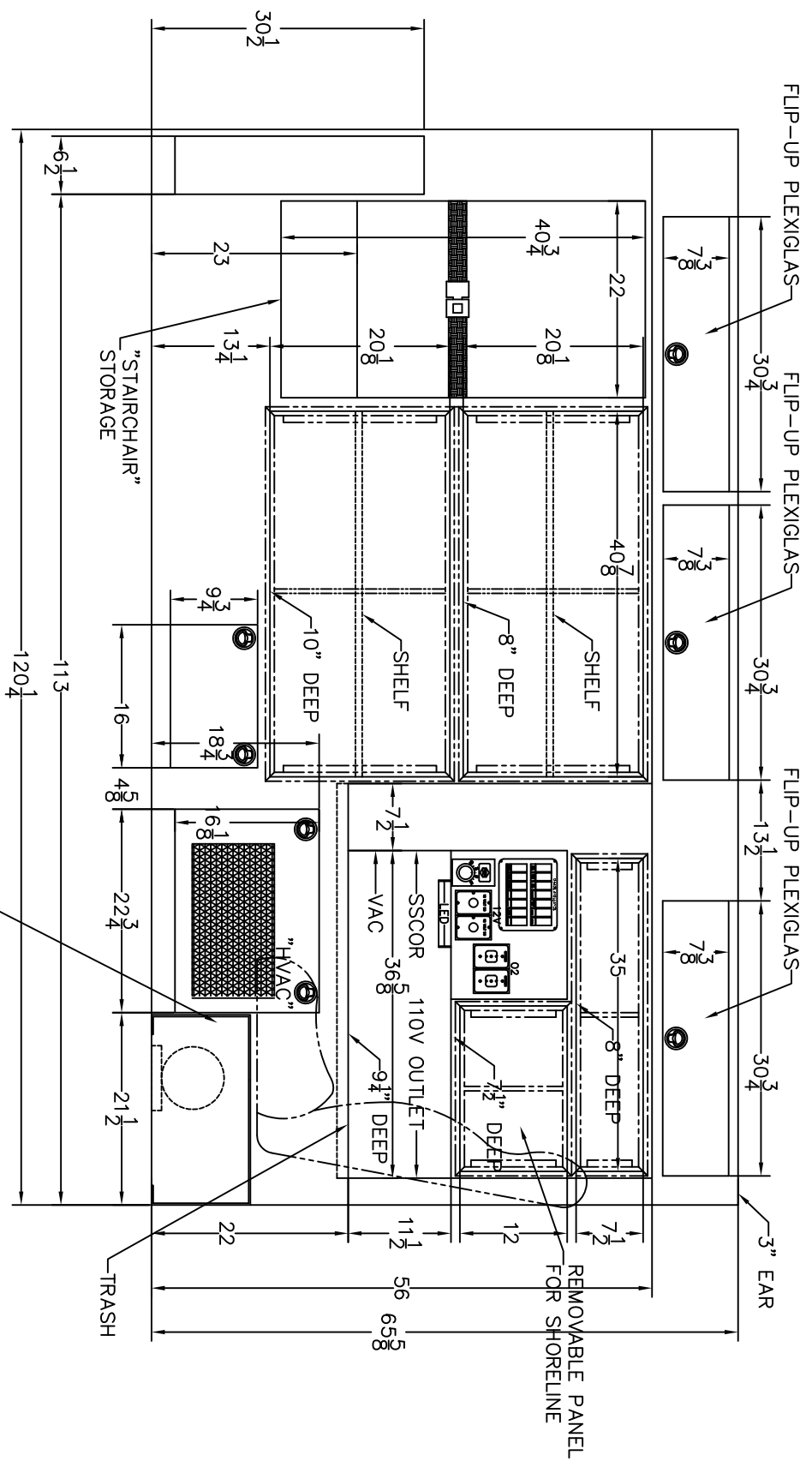
3					
2					
1	PRODUCTION DRAFT	SAH			
Rev. #	Revision Description	Date	Rev'd	App'vd	

Stock/Job#:	Drawing# :	Cust. App'v/Date :	Deel. App'v/Date :
	21-2-TRAVOIS-100		
Dealer:	End Customer:	Drawn By:	Date:
	TWINRIDGE ROAD	S.A.H.	06-10-20
	P.O. BOX 718	Scale:	NOT TO SCALE
	LINN, MO. 67051	Drawing Description:	REVISION# :
		EXTERIOR LAYOUT	1
		TYPE-II MID-ROOF TRANSIT	

**NOTICE**

This drawing and/or the information hereon is the exclusive property of Osage Industries and shall not be reproduced, used or disclosed without the authorized written consent of Osage Industries.



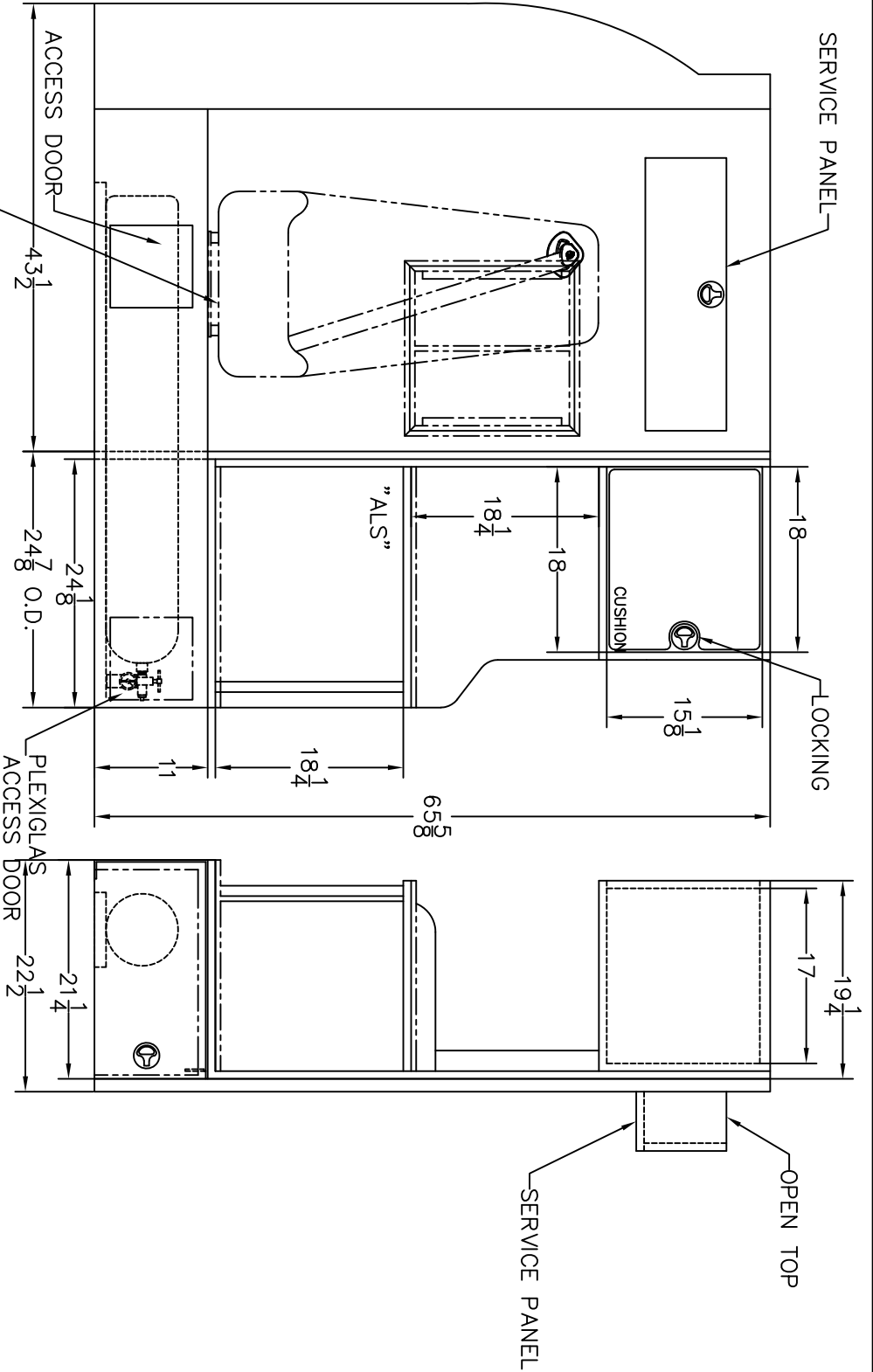
NOTES: THIS DRAWING IS NOT TO SCALE. CHARACTERISTICS AND DIMENSIONS OF FINISHED PRODUCT MAY VARY.  
 NOTES: CABINET DEPTHS REPRESENT DIMENSION FROM INSIDE REAR TO FRONT FACE OF CABINETS, WITHOUT TRIM. ACTUAL WORKING DEPTH WILL BE LESS THAN DIMENSION SHOWN UNLESS OTHERWISE SPECIFIED.

3				
2				
1	PRODUCTION DRAFT		SAH	
Rev. #	Revision Description	Date	Rev'd	App'vd

Stock/Job#:	Drawing#:	Cust. App'v/Date:	Deal. App'v/Date:
Dealer:	21-2-TRAVOIS-101		
End Customer:			
<b>NOTICE</b>			
This drawing and/or the information hereon is the exclusive property of Osage Industries and shall not be reproduced, used or disclosed without the authorized written consent of Osage Industries.			
Drawn By:	S.A.H.	Date:	06-10-20
Scale:	NOT TO SCALE		
Drawing Description:	STREETSIDE INTERIOR TYPE-II TRANSIT		
Revision#:	1		

**Osage Industries, Inc.**  
 TWIN RIDGE ROAD  
 P.O. BOX 718  
 LINN, MO. 65051

E.V.S. ATTENDANT SEAT  
W/ 3-PT. HARNESS



NOTES: THIS DRAWING IS NOT TO SCALE.  
CHARACTERISTICS AND DIMENSIONS OF FINISHED  
PRODUCT MAY VARY.

Rev. #	Revision Description	Date	Rev'd	App'vd
3				
2	PRODUCTION DRAFT		SAH	
1				

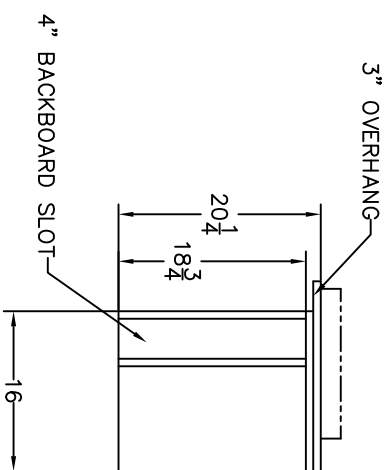
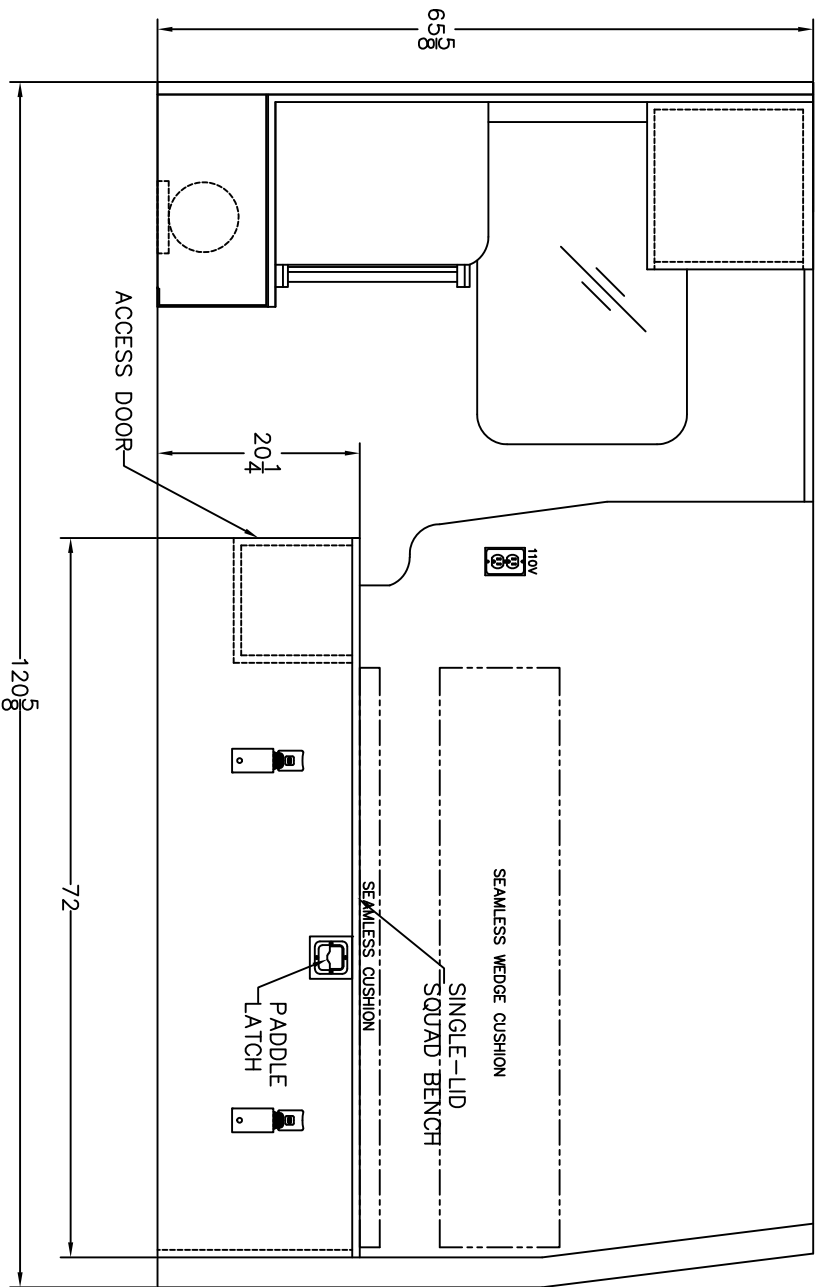
Stock/Job#:	Drawing# :	Cust. App'v/Date :	Deal. App'v/Date :
End Customer:	21-2-TRAVOIS-102		
Dealer:	<b>Osage Industries, Inc.</b> TWIN RIDGE ROAD P.O. BOX 718 LINN, MO. 65051		
Drawn By:	S.A.H.	Date:	06-10-20
Drawn Date:	Scale: NOT TO SCALE		
Revision# :	1		

NOTICE

This drawing and/or the information hereon is the exclusive property of Osage Industries and shall not be reproduced, used or disclosed without the authorized written consent of Osage Industries.

Drawing Description: FORWARD INTERIOR TYPE-II MID-ROOF TRANSIT



NOTES: THIS DRAWING IS NOT TO SCALE.  
 CHARACTERISTICS AND DIMENSIONS OF FINISHED PRODUCT MAY VARY.

3				
2				
1	PRODUCTION DRAFT		SAH	
Rev. #	Revision Description	Date	Rev'd	App'vd

Stock/Job#: \_\_\_\_\_  
 Dealer: \_\_\_\_\_  
 End Customer: \_\_\_\_\_

**NOTICE**

This drawing and/or the information hereon is the exclusive property of Osage Industries and shall not be reproduced, used or disclosed without the authorized written consent of Osage Industries.

Drawing#: 21-2-TRAVOIS-103  
 Cust. App'v/Date: \_\_\_\_\_  
 Deal. App'v/Date: \_\_\_\_\_

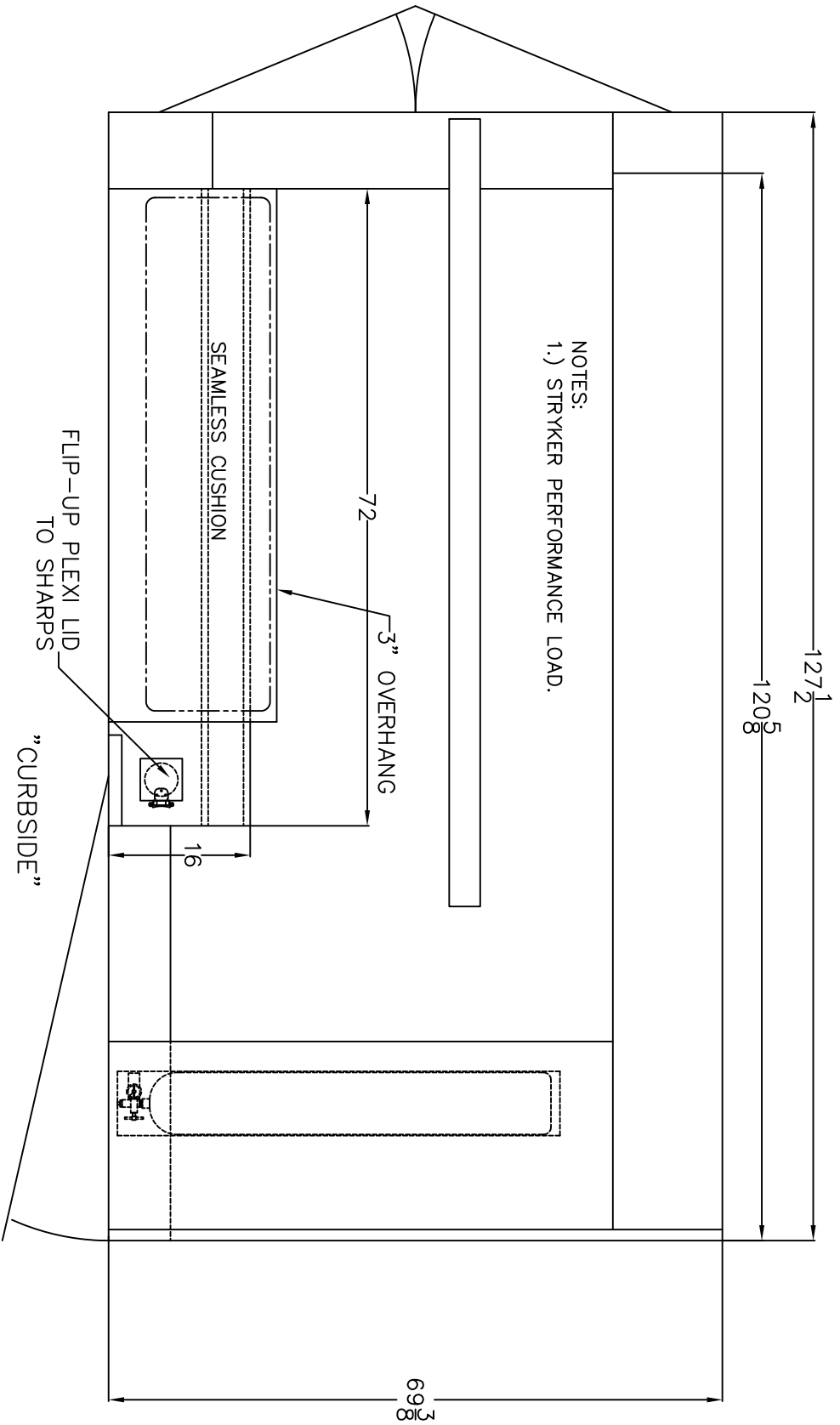
Drawn By: S.A.H. Date: 06-10-20  
 Scale: NOT TO SCALE

Drawing Description: CURBSIDE INTERIOR TYPE-II MID-ROOF TRANSIT

Revision #: 1

**Osage Industries, Inc.**  
 TWINRIDGE ROAD P.O. BOX 718 LINN, MO. 65051

"STREETSIDE"



NOTES:  
1.) STRYKER PERFORMANCE LOAD.

SEAMLESS CUSHION

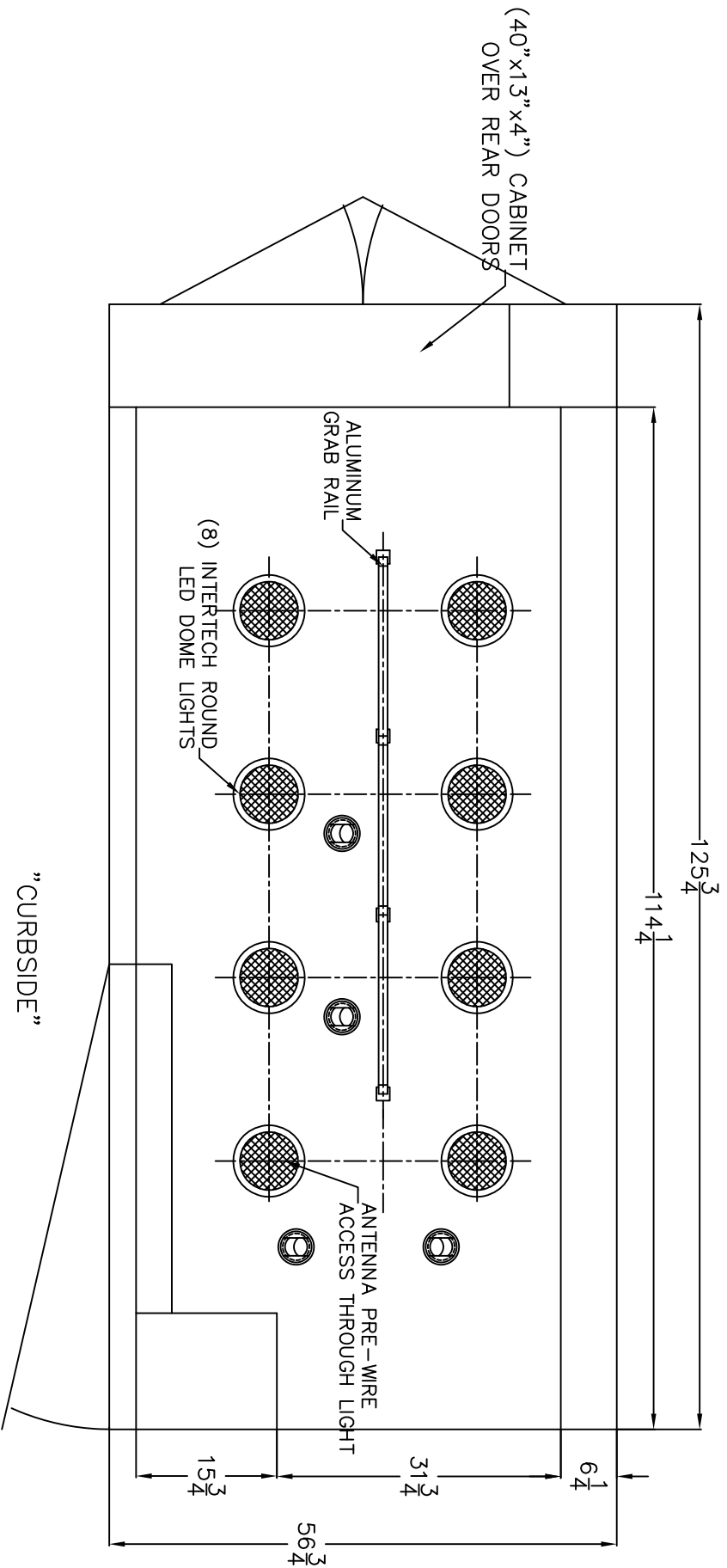
FLIP-UP PLEXI LID  
TO SHARPS  
"CURBSIDE"

NOTES: THIS DRAWING IS NOT TO SCALE.  
CHARACTERISTICS AND DIMENSIONS OF FINISHED PRODUCT MAY VARY.

3				
2				
1	PRODUCTION DRAFT		SAH	
Rev. #	Revision Description	Date	Rev'd	App'vd

Stock/Job#:	Drawing# :	Cust. App'v/Date :	Deal. App'v/Date :
Dealer:	21-2-TRAVOIS-104		
End Customer:	TWINRIDGEGE ROAD		
<p><b>Osage Industries, Inc.</b> P.O. BOX 718 LINN, MO. 65051</p>			
<p>Drawn By: S.A.H. Date: 06-10-20</p>		<p>Scale: NOT TO SCALE</p>	
<p>NOTICE</p> <p>This drawing and/or the information hereon is the exclusive property of Osage Industries and shall not be reproduced, used or disclosed without the authorized written consent of Osage Industries.</p>			<p>Revision# : 1</p>
<p>Drawing Description: FLOOR LAYOUT TYPE-II MID-ROOF TRANSIT</p>			

"STREETSIDE"



NOTES: THIS DRAWING IS NOT TO SCALE.  
CHARACTERISTICS AND DIMENSIONS OF FINISHED PRODUCT MAY VARY.

3				
2				
1	PRODUCTION DRAFT		SAH	
Rev. #	Revision Description	Date	Rev'd	App'vd

Stock/Job#:	Drawing# :	Cust. App'v/Date :	Deal. App'v/Date :
Dealer:	21-2-TRAVOIS-105		
End Customer:			
<b>NOTICE</b>			
This drawing and/or the information hereon is the exclusive property of Osage Industries and shall not be reproduced, used or disclosed without the authorized written consent of Osage Industries.			
Drawn By:	S.A.H.	Date:	06-10-20
Scale:	NOT TO SCALE		
Drawing Description:	CEILING LAYOUT		
	TYPE-II MID-ROOF TRANSIT		
Revision# :	1		

**Osage Industries, Inc.**

TWINRIDGE ROAD P.O. BOX 718 LINN, MO. 65051