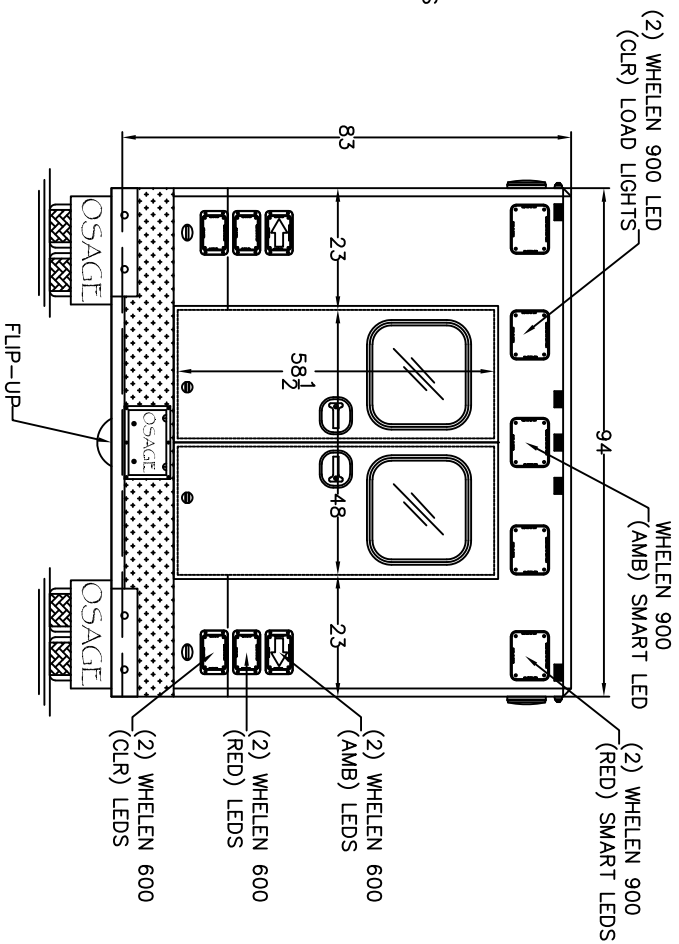
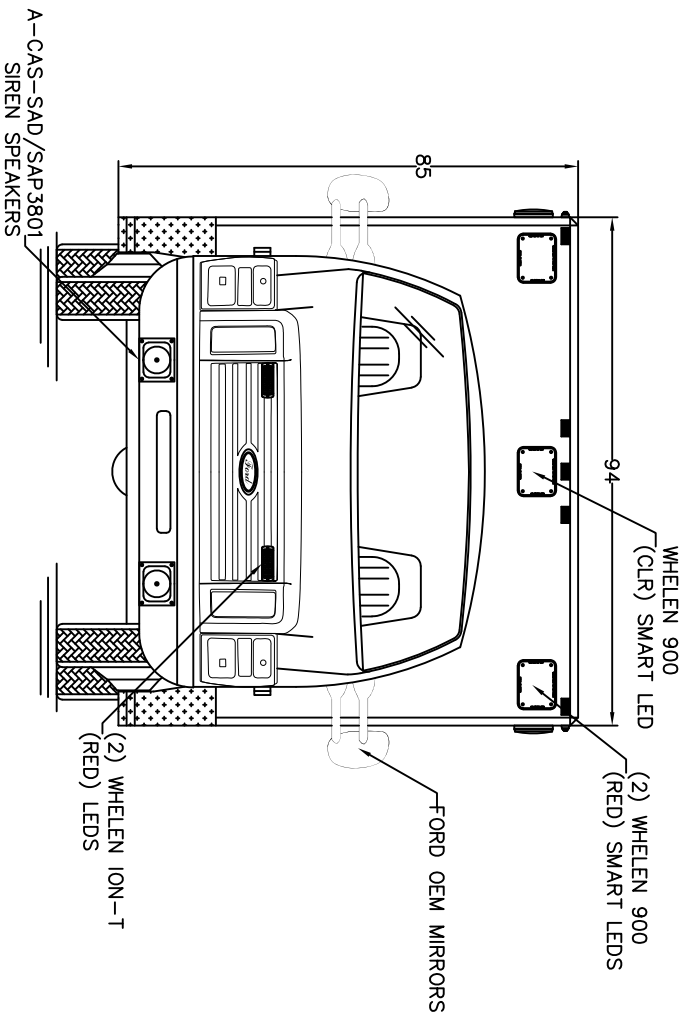


NOTES: THIS DRAWING IS NOT TO SCALE. CHARACTERISTICS AND DIMENSIONS OF FINISHED PRODUCT MAY VARY.

- NOTES:
- 1.) COMPARTMENT DIMENSIONS REFLECT OPENING CLEARANCE.
 - 2.) APPROXIMATE COMPARTMENT DEPTH=19"DEEP.
 - 3.) MODULE DIMENSIONS=148"L x 94"W x 85"H.
 - 4.) INTERIOR MODULE HEAD ROOM=68"H.
 - 5.) ALL 9x7 LIGHTS TO BE WHELEN 900 SERIES LIGHTS.
 - 6.) DOUBLE STAINLESS THRESHOLDS.
 - 7.) STYROFOAM INSULATION, WALLS & CEILING.

Rev.#	Revision Description	Date	Rev'd App'vd
1			
2			
3			

Stock/Job#:	Drawing#:	Cust. App'v/Date#:	Dea'r App'v/Date:
Osage Dealer:	26-3-2148-W-100		
End Customer:			
NOTICE			
This drawing and/or the information hereon is the exclusive property of Osage Ambulances and shall not be reproduced, used or disclosed without the authorized written consent of Osage Ambulances.			
Drawn By:	Date:	Scale:	
S.A.H.	04-25-23	NOT TO SCALE	
Drawing Description:	EXTERIOR LAYOUT		
	TYPE-III WARRIOR, ESERIES		
Revision#	1		



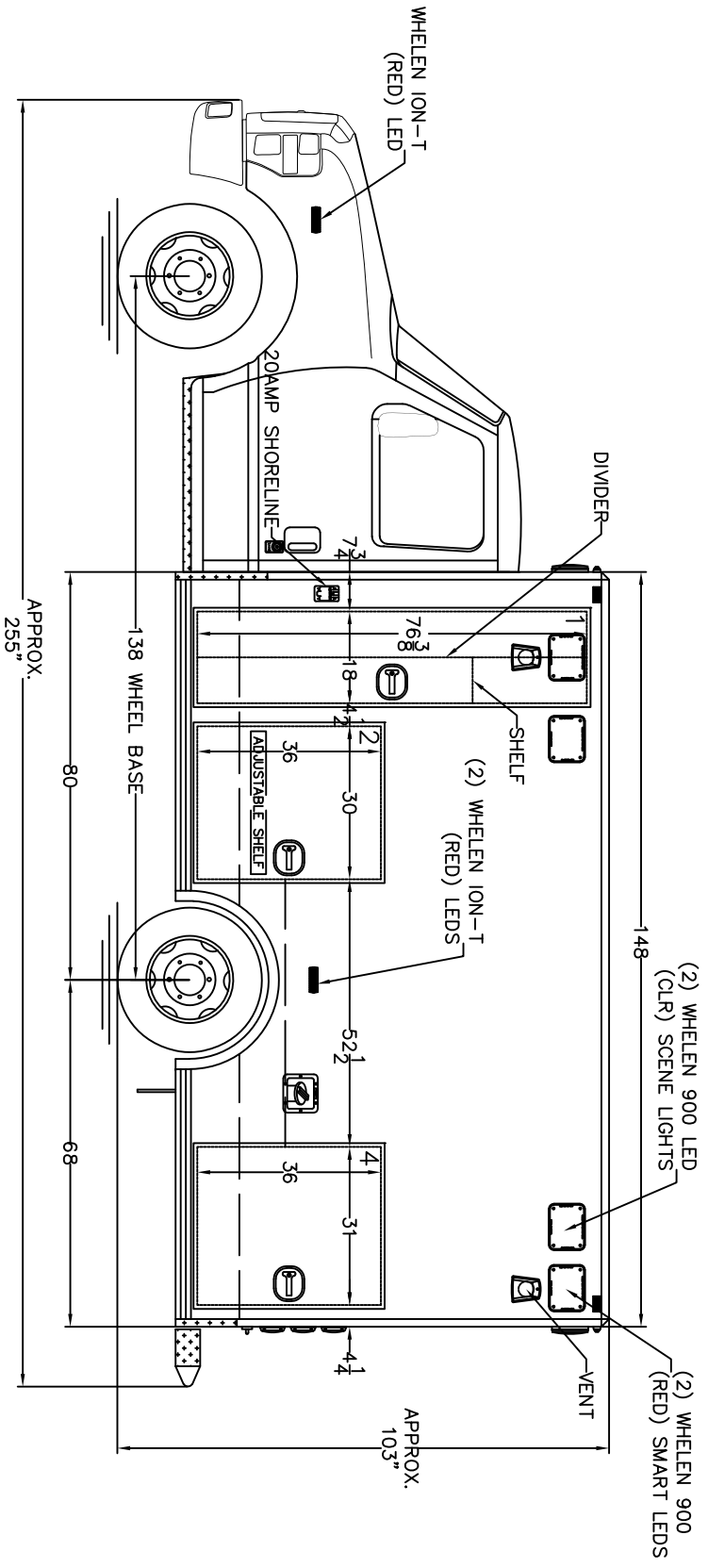
NOTES: THIS DRAWING IS NOT TO SCALE.
CHARACTERISTICS AND DIMENSIONS OF FINISHED PRODUCT MAY VARY.

NOTES:

- 1.) COMPARTMENT DIMENSIONS REFLECT OPENING CLEARANCE.
- 2.) APPROXIMATE COMPARTMENT DEPTH=19"DEEP.
- 3.) MODULE DIMENSIONS=148"L x 94"W x 85"H.
- 4.) INTERIOR MODULE HEAD ROOM=68"H.
- 5.) ALL 9x7 LIGHTS TO BE WHELEN 900 SERIES LIGHTS.
- 6.) DOUBLE STAINLESS THRESHOLDS.
- 7.) STYROFOAM INSULATION, WALLS & CEILING.

Rev.#	Revision Description	Date	Rev'd App'vd
3			
2			
1			

Stock/Job#:	Drawing#	Cust. App'v/Date#	Dea'l'r App'v/Date:
Osage Dealer:	26-3-2148-W-100A		
End Customer:	<p style="text-align: center;">Osage Ambulances</p>		
<p style="text-align: center;">NOTICE</p> <p>This drawing and/or the information hereon is the exclusive property of Osage Ambulances and shall not be reproduced, used or disclosed without the authorized written consent of Osage Ambulances.</p>			
Drawn By:	S.A.H.	Date:	04-25-23
Drawing Description:	EXTERIOR LAYOUT, FRONT/REAR TYPE-III WARRIOR, ESERIES		
Scale:	NOT TO SCALE		
Revision#	1		



NOTES: THIS DRAWING IS NOT TO SCALE.
 CHARACTERISTICS AND DIMENSIONS OF FINISHED PRODUCT MAY VARY.

- NOTES:
- 1.) COMPARTMENT DIMENSIONS REFLECT OPENING CLEARANCE.
 - 2.) APPROXIMATE COMPARTMENT DEPTH=19"DEEP.
 - 3.) MODULE DIMENSIONS=148"L x 94"W x 85"H.
 - 4.) INTERIOR MODULE HEAD ROOM=68"H.
 - 5.) ALL 9x7 LIGHTS TO BE WHELEN 900 SERIES LIGHTS.
 - 6.) DOUBLE STAINLESS THRESHOLDS.
 - 7.) STYROFOAM INSULATION, WALLS & CEILING.

Rev. #	Revision Description	Date	Rev'd App'vd
3			
2			
1			

Stock/Job#: _____

Osage Dealer: _____

End Customer: _____

Drawing# 26-3-2148-W-100B

Cust. App'v/Date# _____

Deal'r App'v/Date: _____

NOTICE

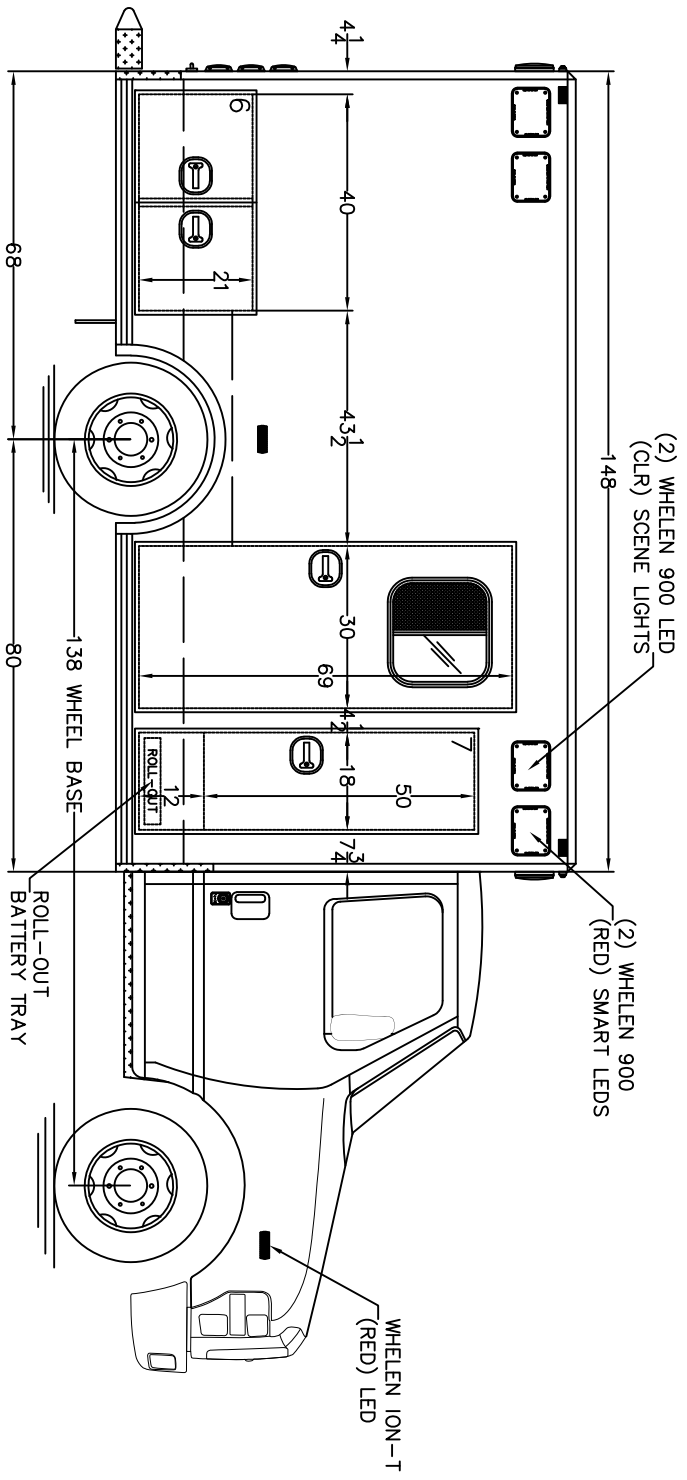
This drawing and/or the information hereon is the exclusive property of Osage Ambulances and shall not be reproduced, used or disclosed without the authorized written consent of Osage Ambulances.

Osage Ambulances

Drawn By: S.A.H. Date: 04-25-23 Scale: NOT TO SCALE

EXTERIOR LAYOUT, STREETSIDE TYPE-III WARRIOR, ESERIES

Revision#
1

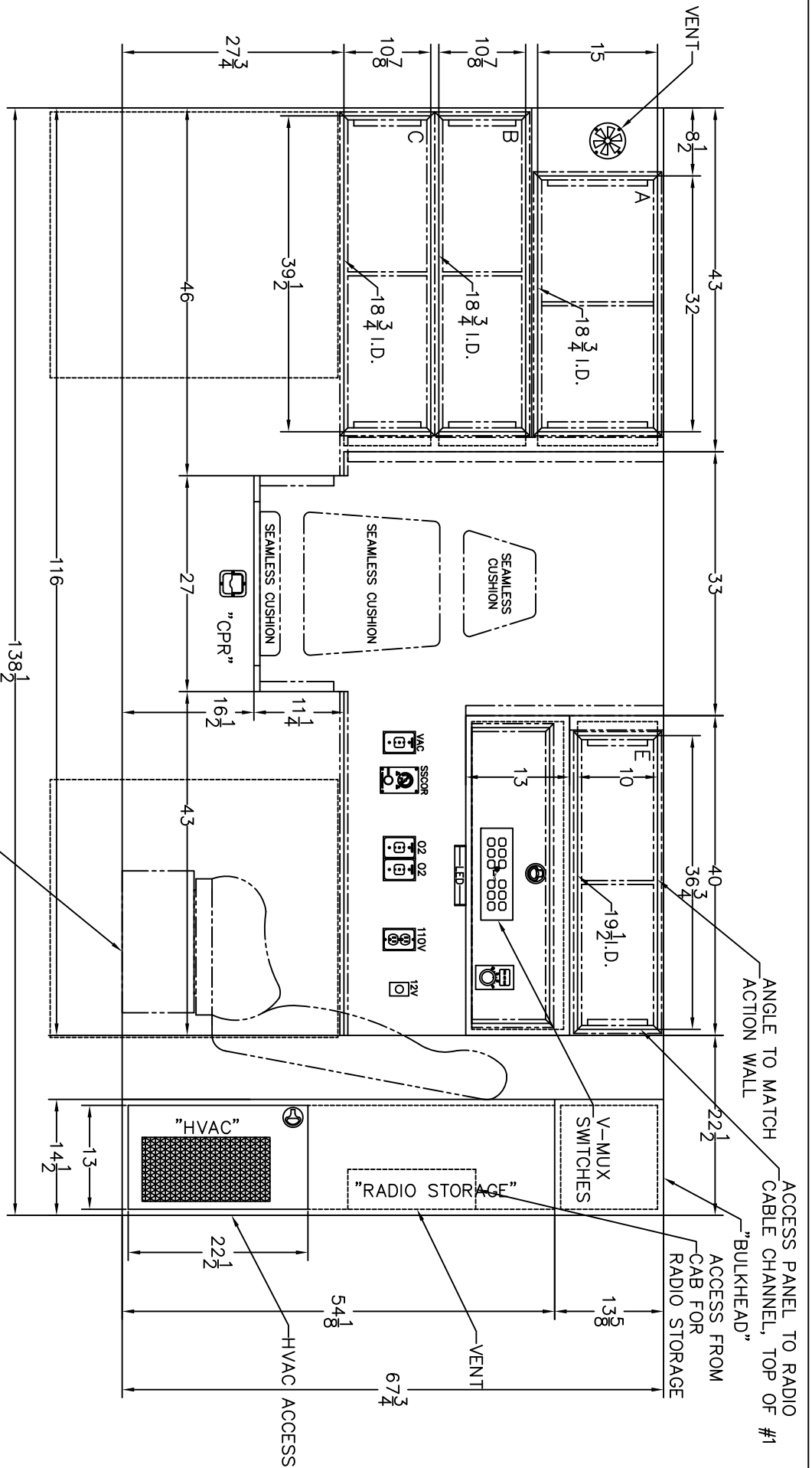


NOTES: THIS DRAWING IS NOT TO SCALE.
 CHARACTERISTICS AND DIMENSIONS OF FINISHED PRODUCT MAY VARY.

- NOTES:
- 1.) COMPARTMENT DIMENSIONS REFLECT OPENING CLEARANCE.
 - 2.) APPROXIMATE COMPARTMENT DEPTH=19"DEEP.
 - 3.) MODULE DIMENSIONS=148"L x 94"W x 85"H.
 - 4.) INTERIOR MODULE HEAD ROOM=68"H.
 - 5.) ALL 9x7 LIGHTS TO BE WHELEN 900 SERIES LIGHTS.
 - 6.) DOUBLE STAINLESS THRESHOLDS.
 - 7.) STYROFOAM INSULATION, WALLS & CEILING.

Rev.#	Revision Description	Date	Rev'd App'vd
3			
2			
1			

Stock/Job#:	Osage Dealer:	End Customer:	NOTICE
Drawing# 26-3-2148-W-100C	Cust. App'v/Date#	Dealer App'v/Date:	Drawn By: S.A.H. Date: 04-25-23 Scale: NOT TO SCALE
<p>This drawing and/or the information hereon is the exclusive property of Osage Ambulances and shall not be reproduced, used or disclosed without the authorized written consent of Osage Ambulances.</p>			
<p>Osage Ambulances</p>			
<p>Drawing Description: EXTERIOR LAYOUT, CURBSIDE TYPE-III WARRIOR, ESERIES</p>			
			Revision# 1



E.V.S. 3-PT. ATTENDANT SEAT

NOTES: THIS DRAWING IS NOT TO SCALE.
 CHARACTERISTICS AND DIMENSIONS OF FINISHED PRODUCT MAY VARY.

NOTES: CABINET DEPTHS REPRESENT DIMENSION FROM INSIDE REAR TO FRONT FACE OF CABINETS, WITHOUT TRIM. ACTUAL WORKING DEPTH WILL BE LESS THAN DIMENSION SHOWN UNLESS OTHERWISE SPECIFIED.

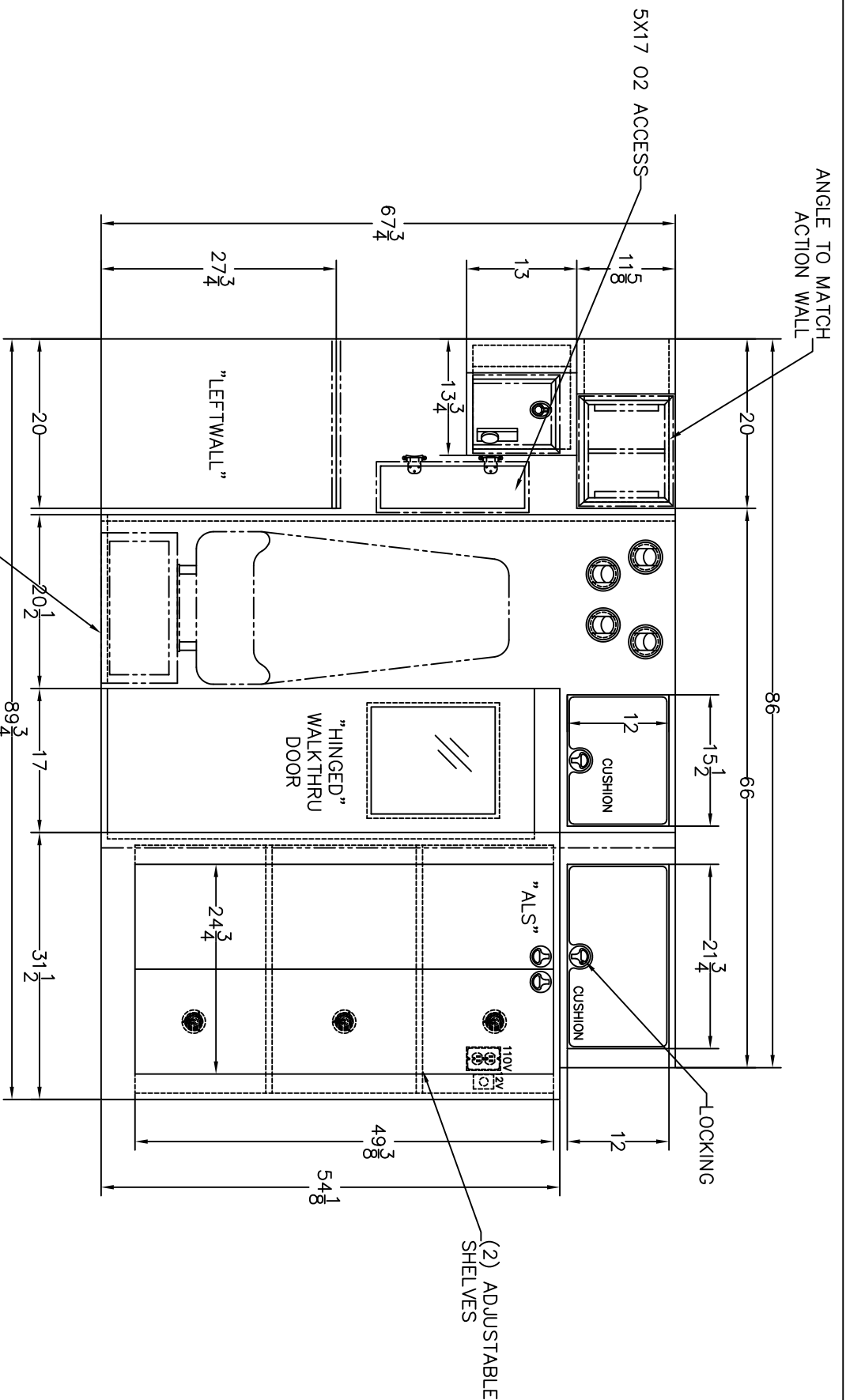
3			
2			
1			
Rev.#	Revision Description	Date	Rev'd App'vd

Stock/Job#:	
Osage Dealer:	
End Customer:	

Drawing#:	26-3-2148-W-101	Cust. App'v/Date#:		Deal'r App'v/Date:	
Drawn By:	S.A.H.	Date:	04-25-23	Scale:	NOT TO SCALE
Drawing Description:	<p style="text-align: center;">Osage Ambulances</p> <p style="text-align: center;">STREETSIDE INTERIOR TYPE-III WARRIOR, ESERIES</p>				
Revision#:	1				

NOTICE

This drawing and/or the information hereon is the exclusive property of Osage Ambulances and shall not be reproduced, used or disclosed without the authorized written consent of Osage Ambulances.

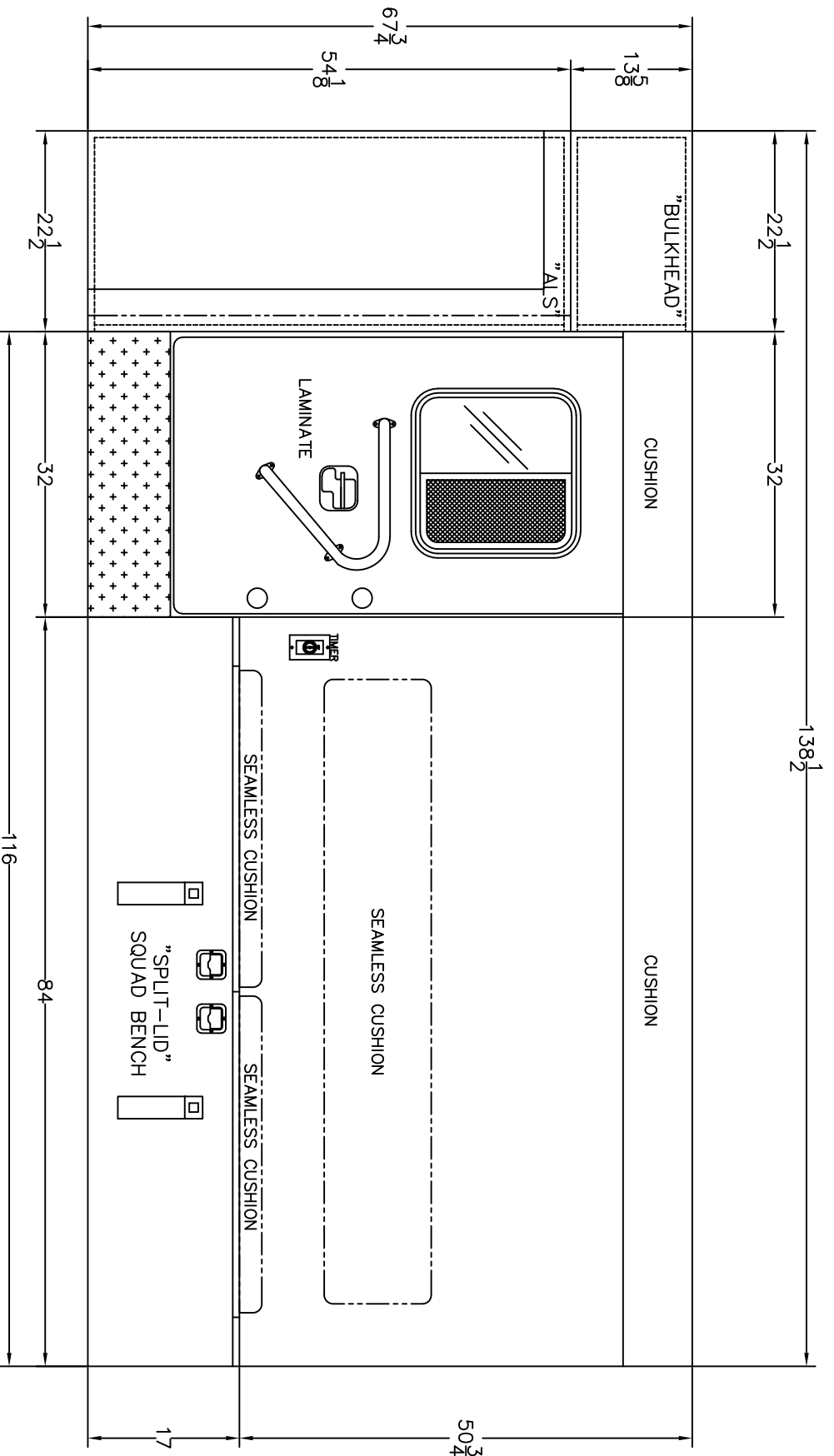


E.V.S. 3-PT. ATTENDANT SEAT

NOTES: THIS DRAWING IS NOT TO SCALE.
 CHARACTERISTICS AND DIMENSIONS OF FINISHED PRODUCT MAY VARY.
 NOTES: CABINET DEPTHS REPRESENT DIMENSION FROM INSIDE REAR TO FRONT FACE OF CABINETS, WITHOUT TRIM. ACTUAL WORKING DEPTH WILL BE LESS THAN DIMENSION SHOWN UNLESS OTHERWISE SPECIFIED.

3			
2			
1			
Rev. #	Revision Description	Date	Rev'd App'vd

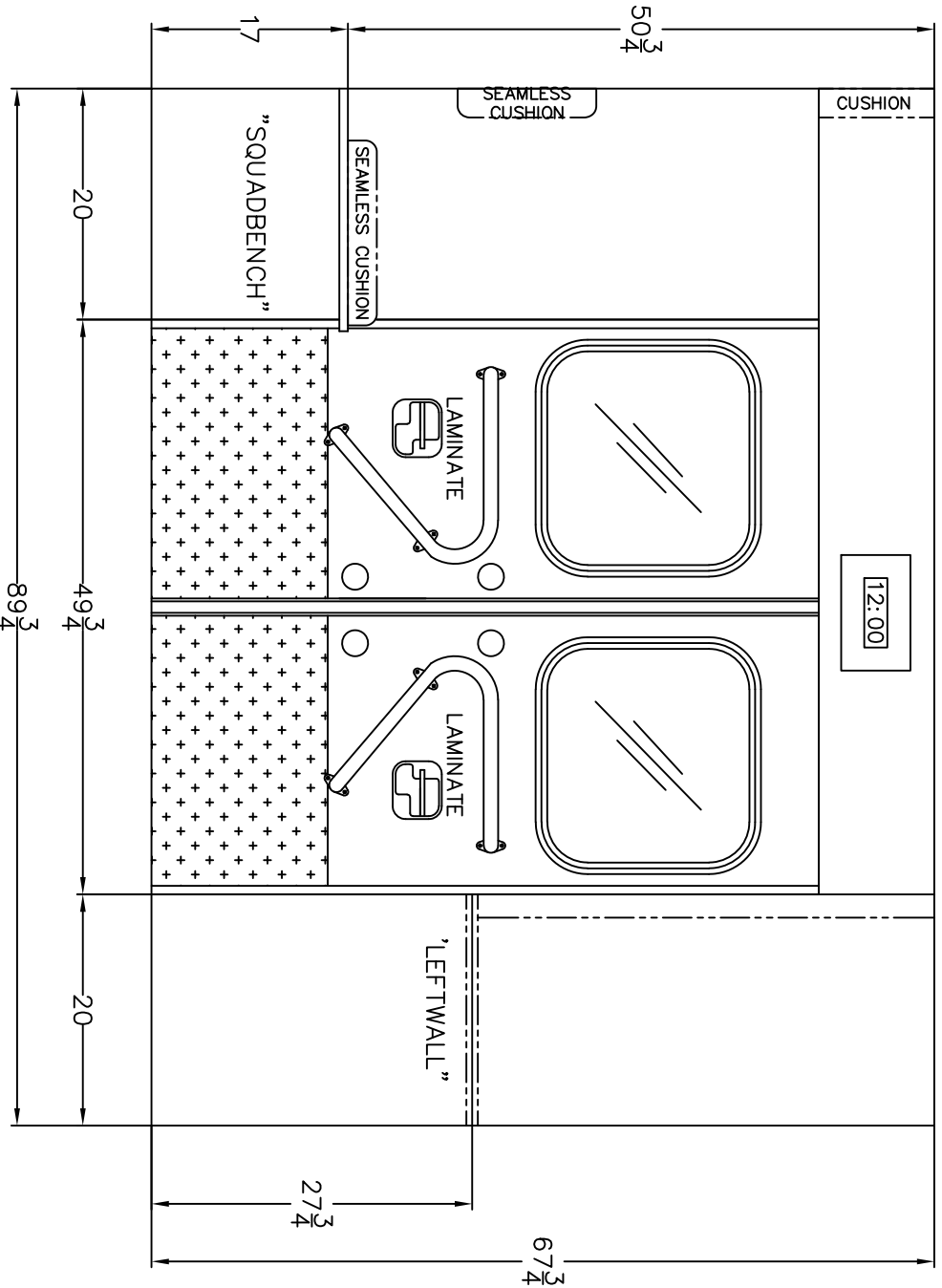
Stock/Job#:	Drawing#:	Cust. App'v/Date#	Deal'r App'v/Date:
Osage Dealer:	26-3-2148-W-102		
End Customer:			
NOTICE			
This drawing and/or the information hereon is the exclusive property of Osage Ambulances and shall not be reproduced, used or disclosed without the authorized written consent of Osage Ambulances.			
Drawn By:	Date:	Scale:	
S.A.H.	04-25-23	NOT TO SCALE	
Drawing Description:			Revision#
FORWARD INTERIOR TYPE-III WARRIOR, ESERIES			1



NOTES: THIS DRAWING IS NOT TO SCALE.
 CHARACTERISTICS AND DIMENSIONS OF FINISHED PRODUCT MAY VARY.
 NOTES: CABINET DEPTHS REPRESENT DIMENSION FROM INSIDE REAR TO FRONT FACE OF CABINETS, WITHOUT TRIM. ACTUAL WORKING DEPTH WILL BE LESS THAN DIMENSION SHOWN UNLESS OTHERWISE SPECIFIED.

3			
2			
1			
Rev.#	Revision Description	Date	Rev'd App'vd

Stock/Job#:	Drawing#	Cust. App'v/Date#	Deal'r App'v/Date:
Osage Dealer:	26-3-2148-W-103		
End Customer:			
NOTICE			
This drawing and/or the information hereon is the exclusive property of Osage Ambulances and shall not be reproduced, used or disclosed without the authorized written consent of Osage Ambulances.			
Drawn By:	Date:	Scale:	
S.A.H.	04-25-23	NOT TO SCALE	
Drawing Description:	CURBSIDE INTERIOR TYPE-III WARRIOR, ESERIES		
			Revision#
			1



NOTES: THIS DRAWING IS NOT TO SCALE.
 CHARACTERISTICS AND DIMENSIONS OF FINISHED PRODUCT MAY VARY.
 NOTES: CABINET DEPTHS REPRESENT DIMENSION FROM INSIDE REAR TO FRONT FACE OF CABINETS, WITHOUT TRIM. ACTUAL WORKING DEPTH WILL BE LESS THAN DIMENSION SHOWN UNLESS OTHERWISE SPECIFIED.

Stock/Job#:	Drawing#:	Cust. App'v/Date#	Deal'r App'v/Date:
Osage Dealer:	26-3-2148-W-104		
End Customer:	Osage Ambulances		

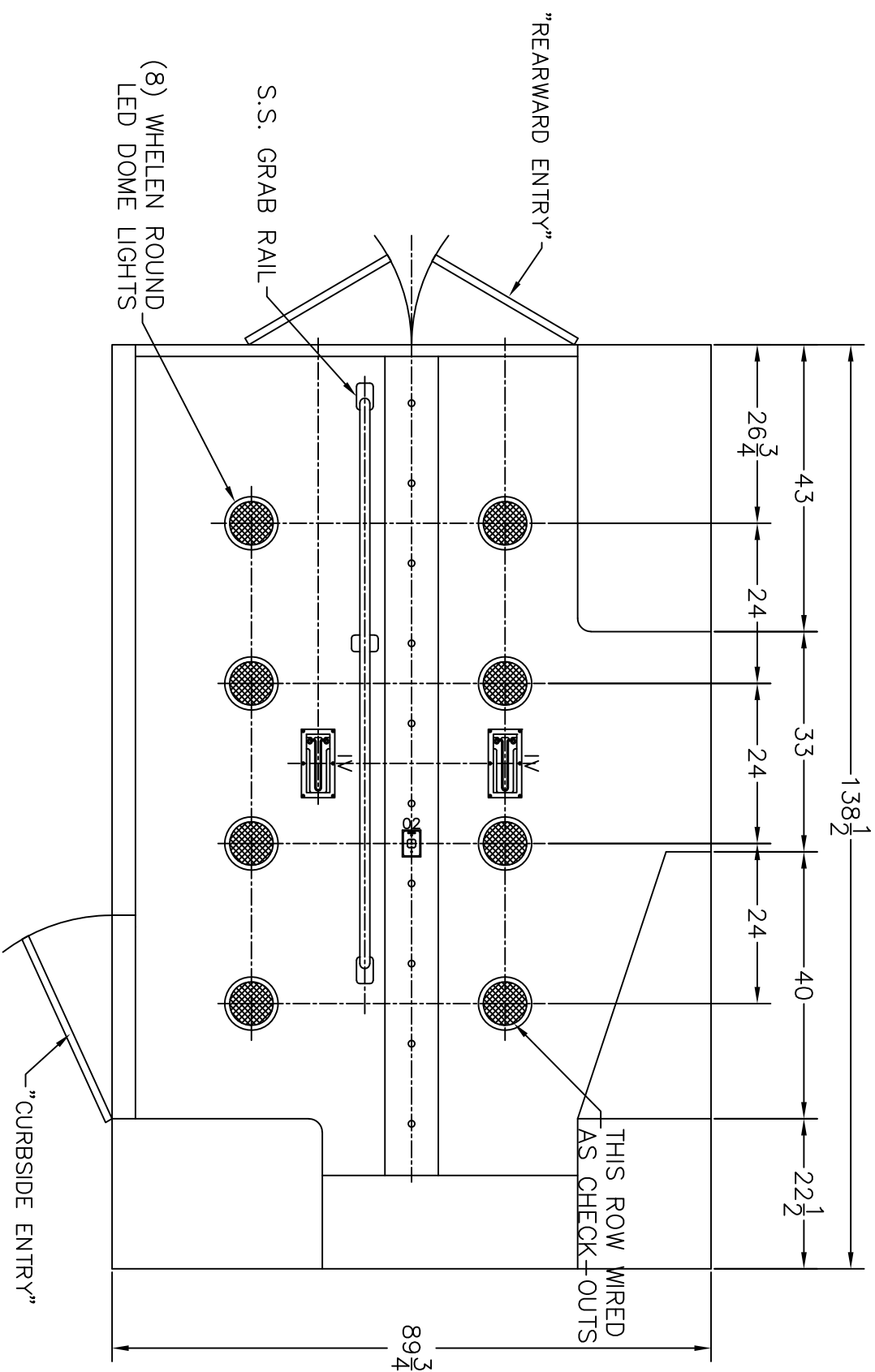
NOTICE

This drawing and/or the information hereon is the exclusive property of Osage Ambulances and shall not be reproduced, used or disclosed without the authorized written consent of Osage Ambulances.

Drawn By:	Date:	Scale:
S.A.H.	04-25-23	NOT TO SCALE
Drawing Description:	REARWARD INTERIOR TYPE-III WARRIOR, ESERIES	

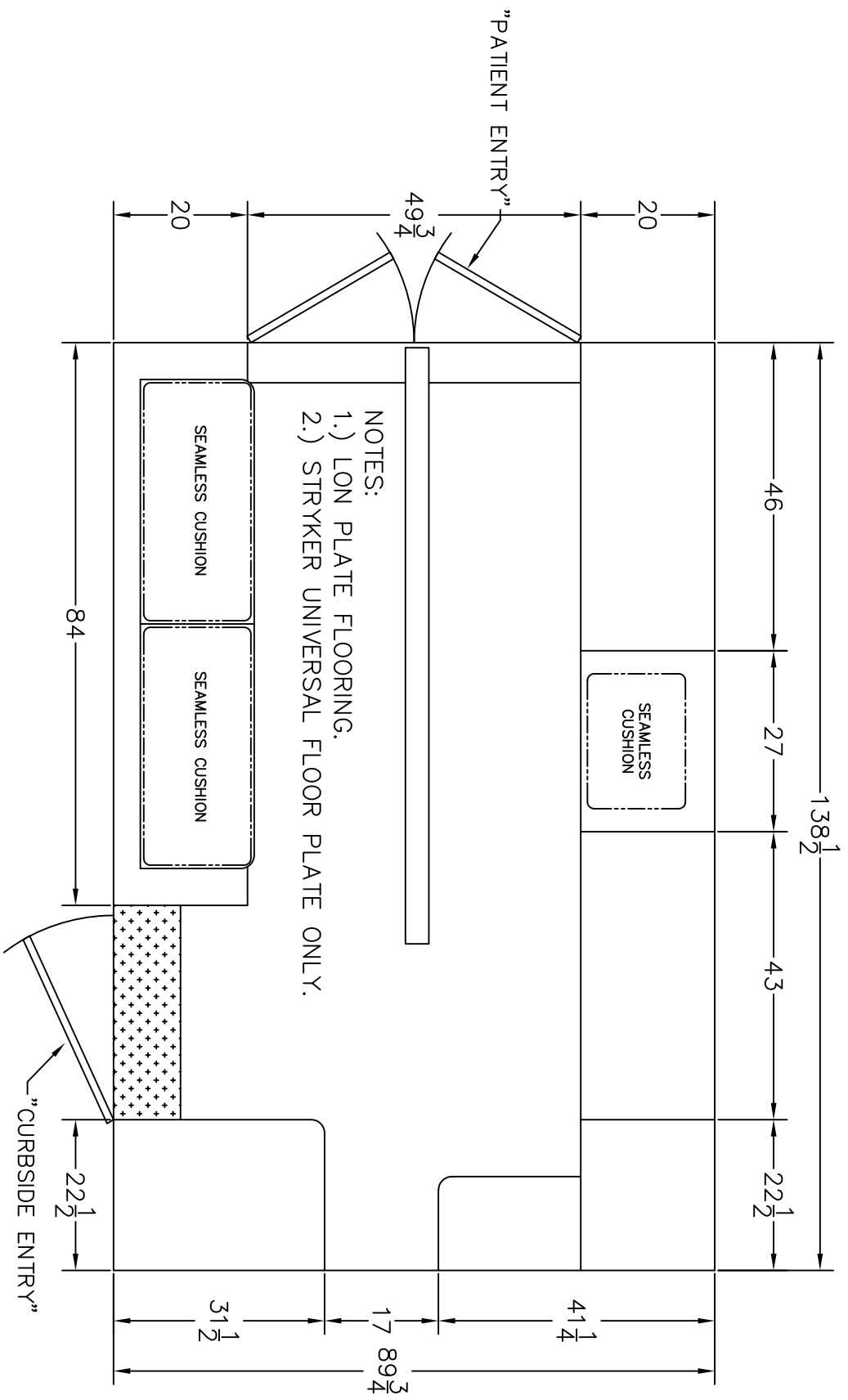
Rev.#	Revision Description	Date	Rev'd App'vd
3			
2			
1			

Revision#	1
-----------	---



NOTES: THIS DRAWING IS NOT TO SCALE.
 CHARACTERISTICS AND DIMENSIONS OF FINISHED
 PRODUCT MAY VARY.

3									
2									
1									
Rev.#	Revision Description	Date	Rev'd	App'vd					
Stock/Job#: _____ Osage Dealer: _____ End Customer: _____					Drawing# 26-3-2148-W-105 Cust. App'v/Date# _____ Dealer App'v/Date: _____				
NOTICE This drawing and/or the information hereon is the exclusive property of Osage Ambulances and shall not be reproduced, used or disclosed without the authorized written consent of Osage Ambulances.					Drawn By: S.A.H. Date: 04-25-23 Scale: NOT TO SCALE Drawing Description: CEILING LAYOUT TYPE-III WARRIOR, ESERIES				
					Revision# 1				



NOTES:
 1.) LON PLATE FLOORING.
 2.) STRYKER UNIVERSAL FLOOR PLATE ONLY.

NOTES: THIS DRAWING IS NOT TO SCALE.
 CHARACTERISTICS AND DIMENSIONS OF FINISHED
 PRODUCT MAY VARY.

Rev. #	Revision Description	Date	Rev'd App'vd
3			
2			
1			

Stock/Job#:	Drawing#:	Cust. App'v/Date#	Deal'r App'v/Date:
Osage Dealer:	26-3-2148-W-106		
End Customer:			

NOTICE		Drawn By:	Date:	Scale:
This drawing and/or the information hereon is the exclusive property of Osage Ambulances and shall not be reproduced, used or disclosed without the authorized written consent of Osage Ambulances.		S.A.H.	04-25-23	NOT TO SCALE
		Drawing Description:		Revision#
		FLOOR LAYOUT		1
		TYPE-III WARRIOR, ESERIES		